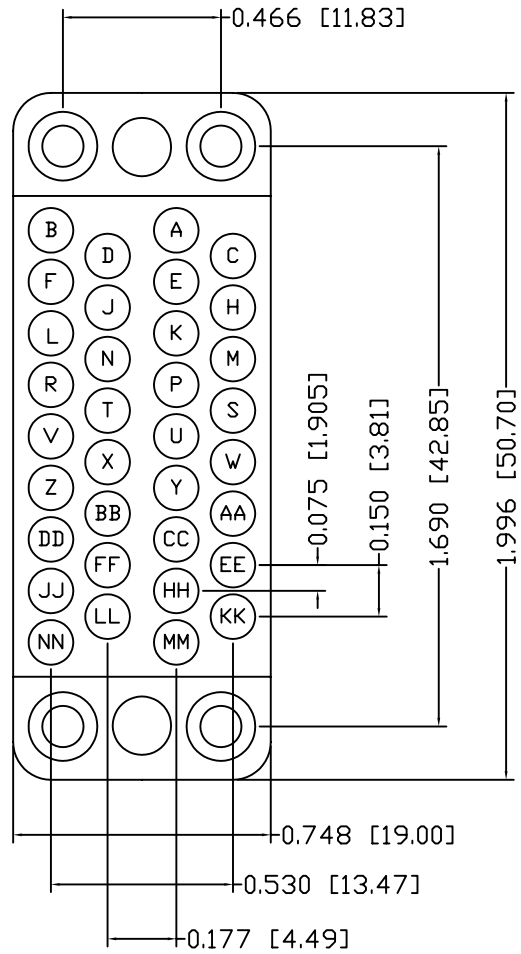


| REV | DATE | DESCRIPTION | APP |
|-----|------|-------------|-----|
| | | | |
| | | | |

FRONT VIEW



SIDE VIEW



NOTES:

1. MATERIAL: THERMOPLASTIC UL94V-0
2. WITHSTANDING VOLTAGE: 1200 VAC (1 MINUTE)
3. INSULATION RESISTANCE: 1000 MEG OHMS (AT 500 VDC)
4. WORKING TEMPERATURE -55 °C TO +105°C

THIS IS A CONTROLLED DOCUMENT AND IS SUBJECT TO CHANGE. CONTACT NORTHERN TECHNOLOGIES ENGINEERING FOR THE LATEST REVISION.

| UNLESS OTHERWISE SPECIFIED | SIGNATURES | DATE | Northern Technologies | | THIS DRAWING IS THE PROPERTY OF NORTHERN TECHNOLOGIES AND SHOULD NOT BE REPRODUCED WITHOUT NORTHERN TECHNOLOGIES' WRITTEN PERMISSION. |
|---|------------|------|-----------------------|---|---|
| 1. ALL DIMENSIONS IN MM. 2. DIMENSIONS SHOWN ARE TYPICAL | DRAWN | JSD | 07-FEB-07 | PART NUMBER A28E610340 | |
| | CHECKED | SCN | 07-FEB-07 | DESCRIPTION V.35 34C MALE INSULATOR (OPT 1) | |
| | ENG | | | SHEET | CODE |
| | ISSUED | | 07-FEB-07 | 7100_178 | DWG NO. |
| | | | | 7100-500-178 | |
| | | | | SCALE | SHEET 1 OF 1 |