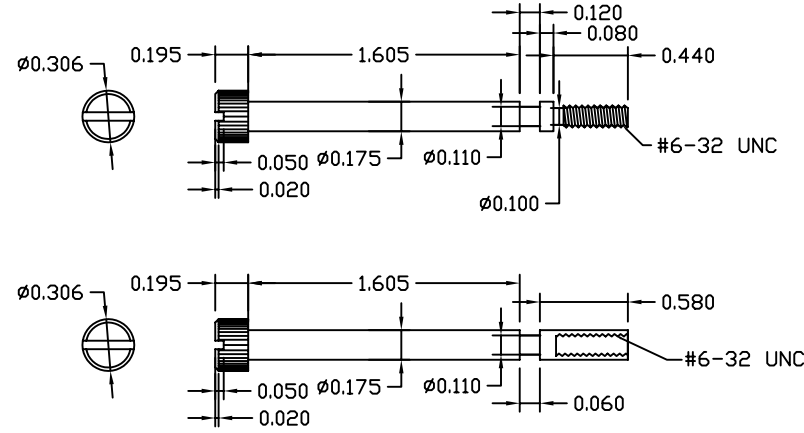
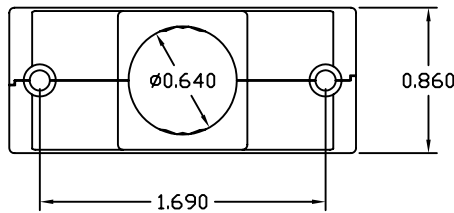
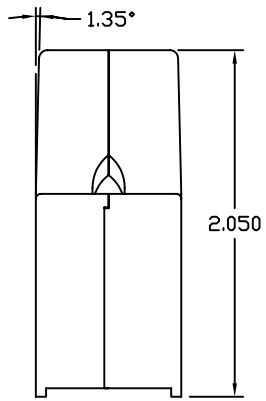
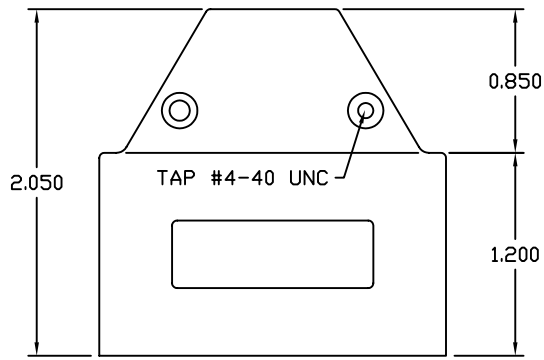
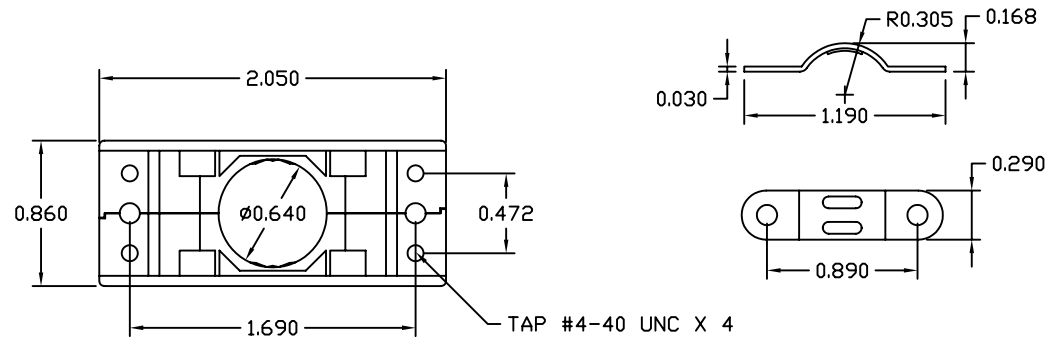


REV	DATE	DESCRIPTION	APP



SCREW NOTES:
 1. MATERIAL: STEEL
 2. FINISH: NICKEL PLATED
 3. MEDIUM KNURL

CONNECTOR COVER NOTES:
 1. MATERIAL: ZINC (DIE CAST)
 2. FINISH: NICKEL PLATED

CLAMP NOTES:
 1. MATERIAL: CR STEEL
 2. FINISH: NICKEL PLATED

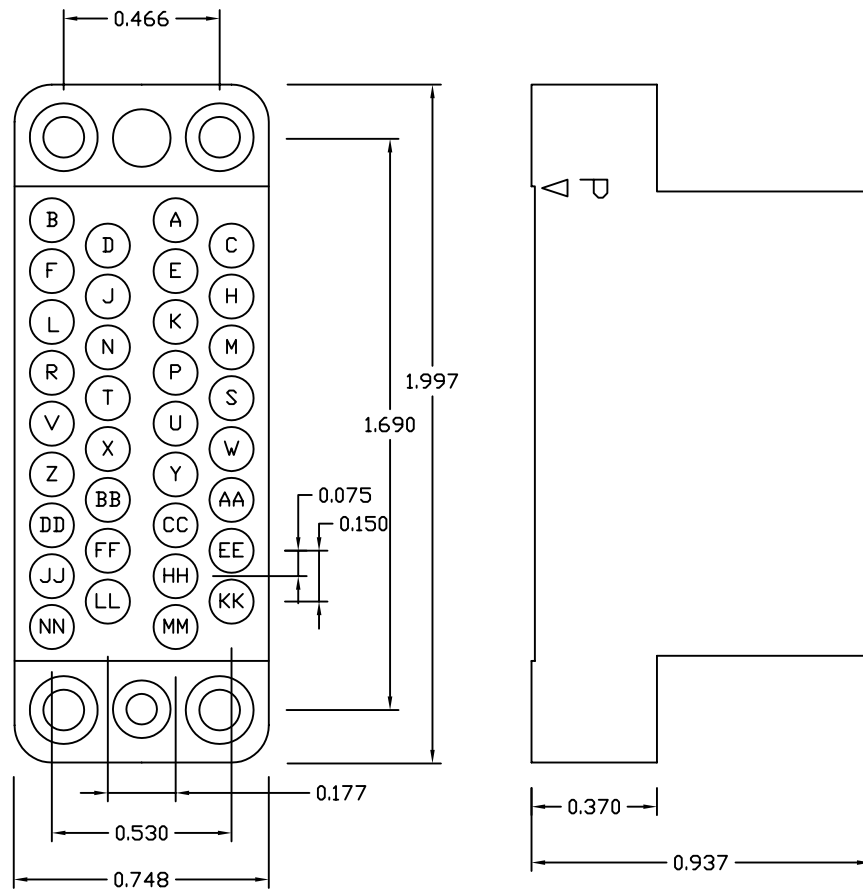
4-40 UNC
 THREAD (VARIED LENGTHS)

- 2 - COVER SCREWS
- 2 - STRAIN RELIEF SCREWS
- 4 - INSULATOR SCREWS

THIS IS A CONTROLLED DOCUMENT AND IS SUBJECT TO CHANGE. CONTACT NORTHERN TECHNOLOGIES ENGINEERING FOR THE LATEST REVISION.

UNLESS OTHERWISE SPECIFIED 1. ALL DIMENSIONS ARE IN INCHES (MM) 2. DIMENSIONS ARE TYPICAL	SIGNATURES	DATE	Northern Technologies <small>THIS DRAWING IS THE PROPERTY OF NORTHERN TECHNOLOGIES AND SHOULD NOT BE REPRODUCED WITHOUT NORTHERN TECHNOLOGIES WRITTEN PERMISSION.</small>		
	DRAWN JSD	07-FEB-07			
	CHECKED SCN	07-FEB-07	SHEET 1		CODE 7100_165
	ENG		DWG NO. 7100-500-165		
	ISSUED	07-FEB-07	SCALE N.T.S.	SHEET 1 OF 2	

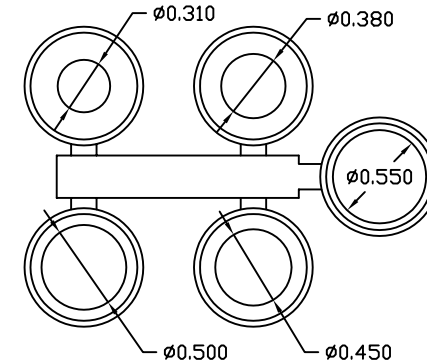
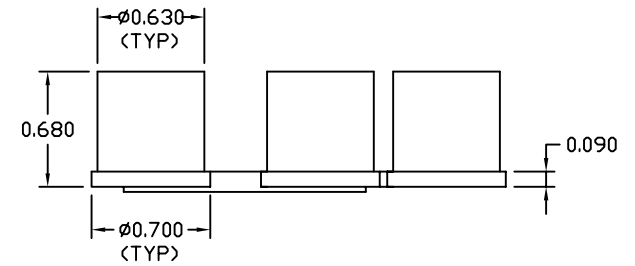
REV	DATE	DESCRIPTION	APP



FRONT VIEW

INSULATOR NOTES:

1. MATERIAL: THERMOPLASTIC
2. COLOR: BLACK



COMPRESSION INSERT NOTES:

1. MATERIAL: PVC
2. COLOR: BLACK
3. DUROMETER: 65 (TYPE A)

THIS IS A CONTROLLED DOCUMENT AND IS SUBJECT TO CHANGE. CONTACT NORTHERN TECHNOLOGIES ENGINEERING FOR THE LATEST REVISION.

UNLESS OTHERWISE SPECIFIED	SIGNATURES	DATE	Northern Technologies		THIS DRAWING IS THE PROPERTY OF NORTHERN TECHNOLOGIES AND SHOULD NOT BE REPRODUCED WITHOUT NORTHERN TECHNOLOGIES WRITTEN PERMISSION.
1. ALL DIMENSIONS IN MM. 2. DIMENSIONS SHOWN ARE TYPICAL 3. MATERIAL: PBT & GLASS FIBRE UL94V-0.	DRAWN	JSD	07-FEB-07	PART NUMBER N28E611000	
	CHECKED	SCN	07-FEB-07	DESCRIPTION V.35 MALE COV/CON KIT NI	
	ENG			SHEET 2	CODE 7100_165
	ISSUED		07-FEB-07	DWG NO.	7100-500-165
				SCALE N.T.S.	SHEET 2 OF 2