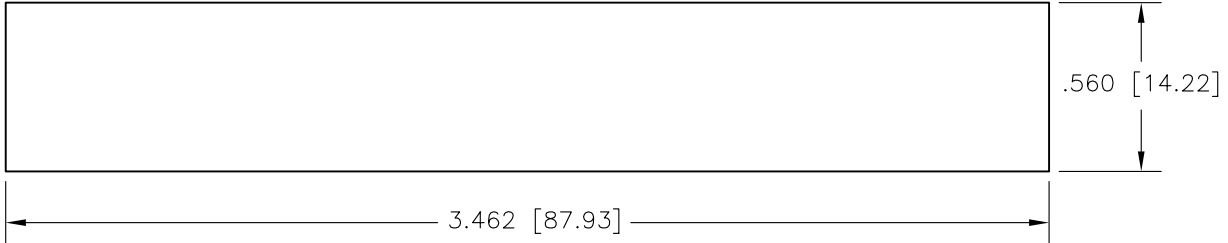
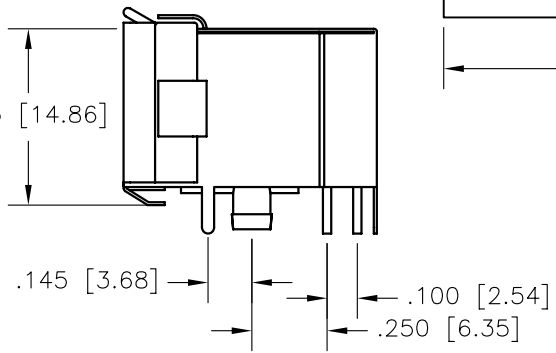
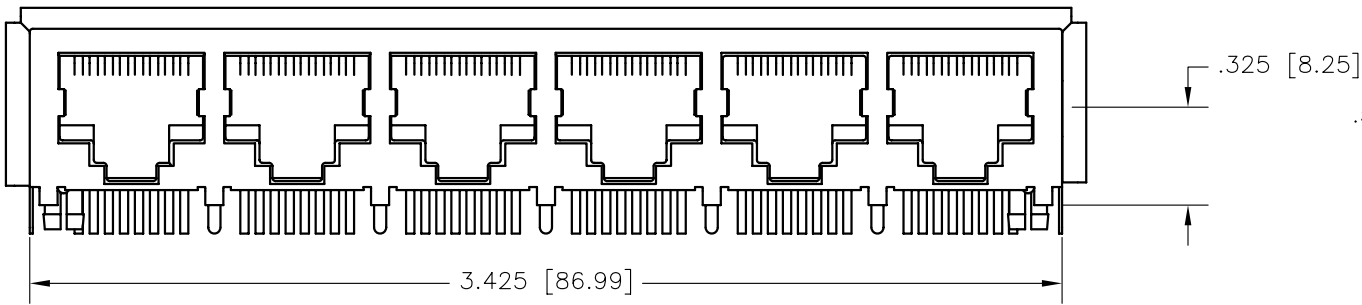
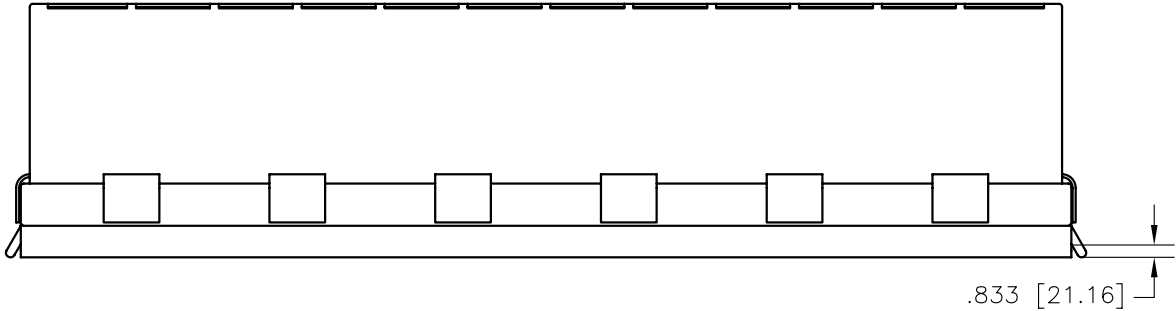
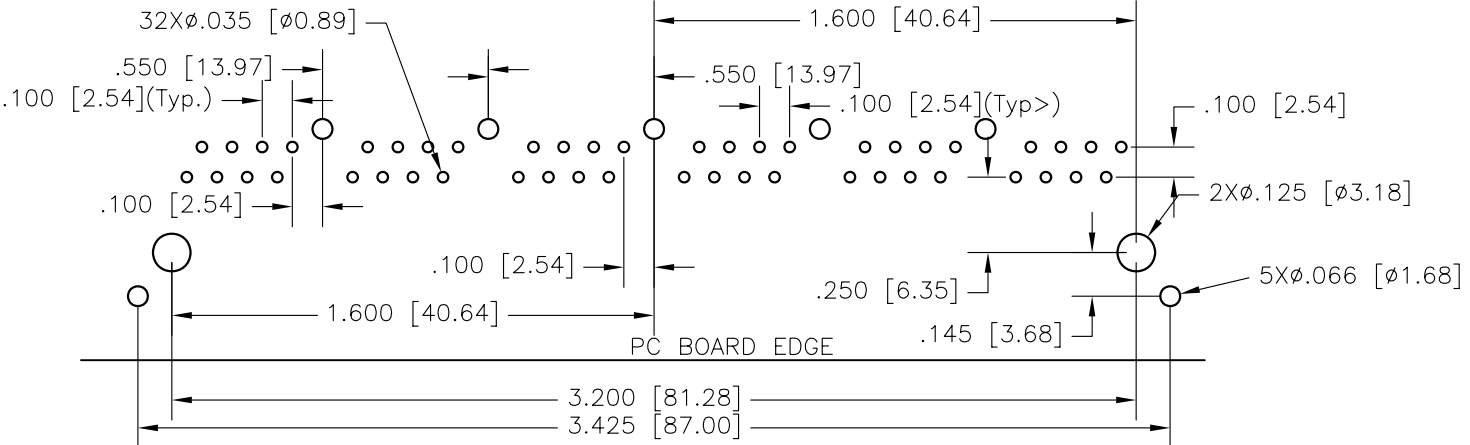


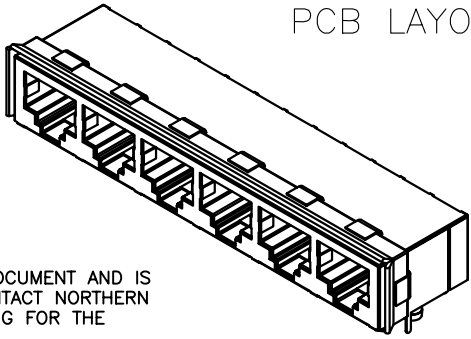
REVISIONS				
ZONE	REV	DESCRIPTION	DATE	APPROVED



PANEL CUTOUT



PCB LAYOUT



MATERIAL:
Housing: PBT Glass Filled – UL94V-0
Shield: Tin Plated Copper Alloy
Contacts: Phosphor Bronze 50u" Gold Over Nickel

ELECTRICAL:
Insulation Resistance: 500 Megohms minimum
Dielectric Withstanding Voltage: 1000V RMS
Contact Resistance: 30 Milliohms max.

MECHANICAL:
Durability: 1000 Mating Cycles

OPERATING TEMPERATURE:
-20°C TO +85°C

THIS IS A CONTROLLED DOCUMENT AND IS SUBJECT TO CHANGE. CONTACT NORTHERN TECHNOLOGIES ENGINEERING FOR THE LATEST REVISION.

UNLESS OTHERWISE SPECIFIED		Northern Technologies			THIS DRAWING IS THE PROPERTY OF NORTHERN TECHNOLOGIES AND SHOULD NOT BE REPRODUCED WITHOUT NORTHERN TECHNOLOGIES WRITTEN PERMISSION.	
1. ALL DIMENSIONS ARE IN INCHES [MM]		PART NUMBER RE155P30806			DESCRIPTION 6 PORT RJ45 JACK SHIELDED W/GASKET	
2. DIMENSIONS ARE TYPICAL		DRAWN Luis C. 12-MAR-09			CHECKED JSD 12-MAR-09	
ISSUED	16-MAR-09	SCALE NTS	SIZE B	CODE 200_254	DWG NO. 0002-200-254	REV
					SHEET 1 OF 1	