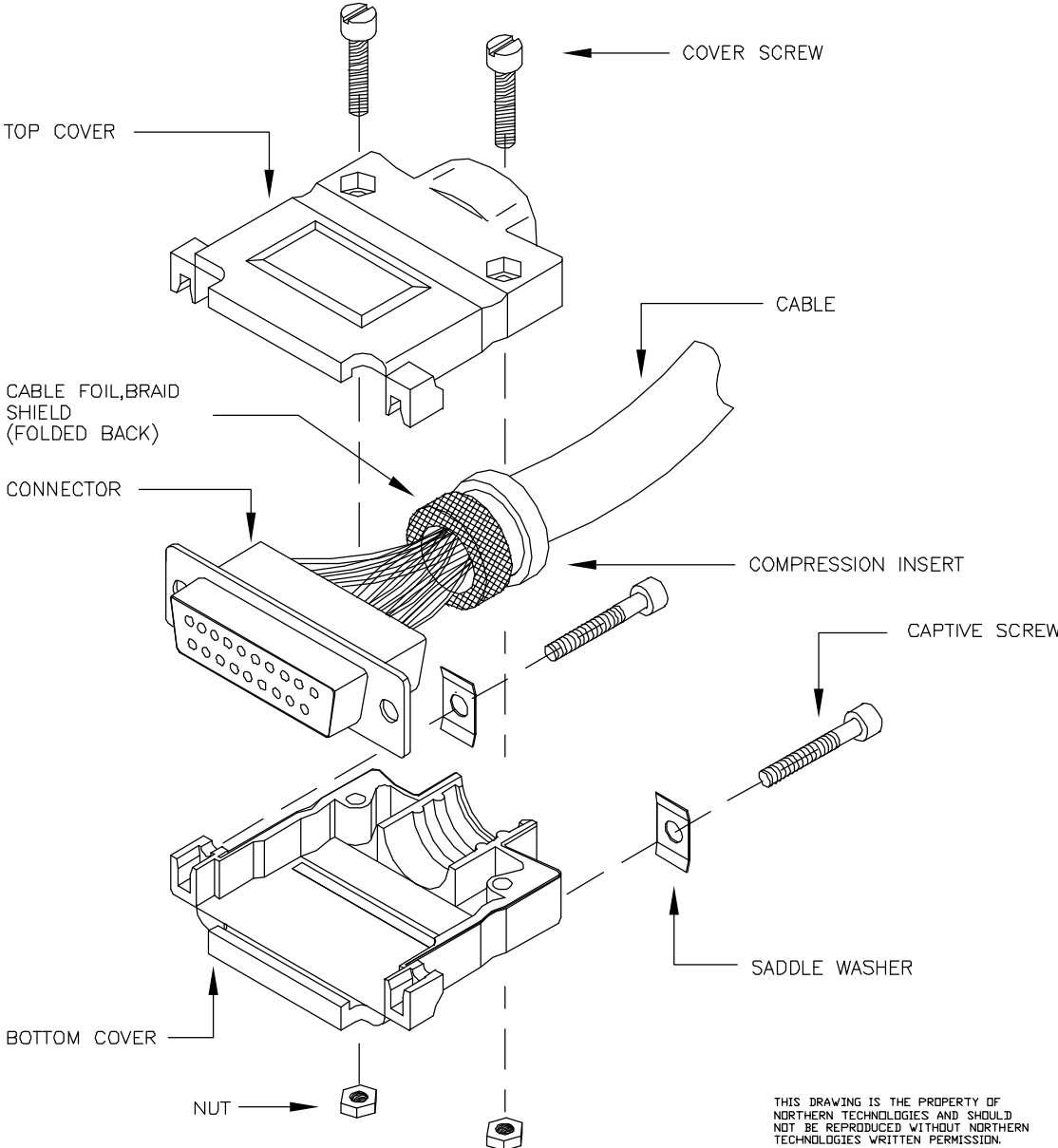


| REV | DATE | DESCRIPTION OF CHANGE | APP |
|-----|------|-----------------------|-----|
| | | | |
| | | | |



THIS DRAWING IS THE PROPERTY OF NORTHERN TECHNOLOGIES AND SHOULD NOT BE REPRODUCED WITHOUT NORTHERN TECHNOLOGIES WRITTEN PERMISSION.

DESCRIPTION: METAL COVER ASSEMBLY INSTRUCTION NOTE.

| APPROVALS | DATE |
|-------------|-----------|
| DRN: L.C. | 03-OCT-95 |
| CHK'D: JSD | 03-OCT-95 |
| DESIGN: | |
| TOLERANCES: | N/A |

Northern Technologies

DWG NO: 0002-080-038

SCALE: SHEET: 1 OF 1