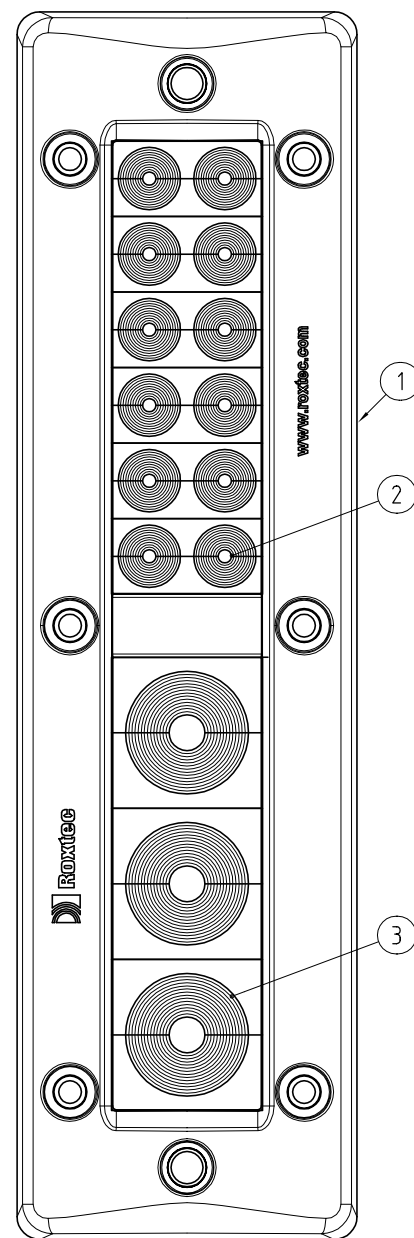


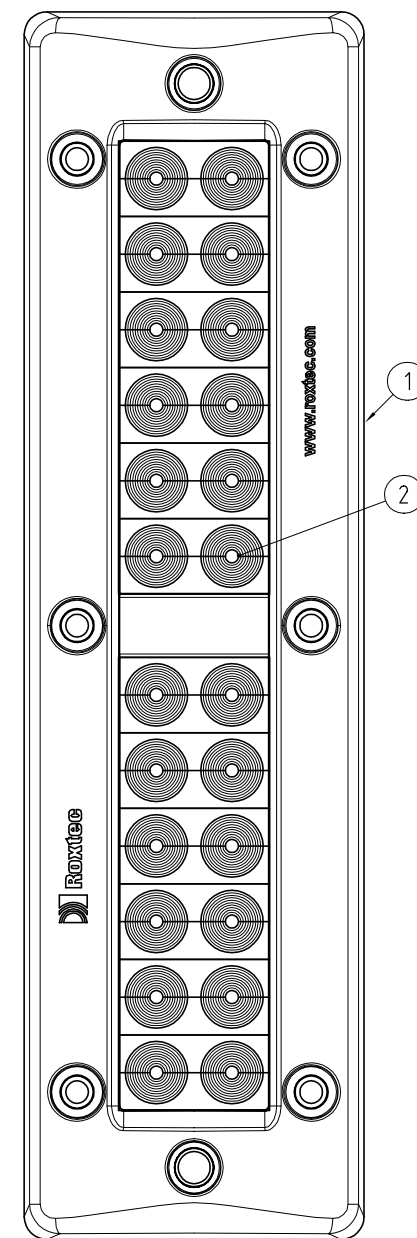
EzEntry 24/6

Pcs	Modules
6	CM 40/10-32



EzEntry 24/15

Pcs	Modules
6	CM 20w40
3	CM 40/10-32



EzEntry 24/24

Pcs	Modules
12	CM 20w40

3	-	CM 40/10-32	RANGE Ø 0+9.5-32.5	-
2	-	CM 20w40	RANGE Ø 0+3.5-16.5	-
1	-	EZENTRY 24 FRAME		-
Item	Qty	Designation	Specification	Net Weight
ROXTEC INTERNATIONAL AB		Designed by: S MILTON	Date: 2009-05-18	General Remarks: (if any)
BOX 540 S-371 23 Karlskrona		Checked by: AN KARLSSON	Formal: A1	General surface treatment: (if any)
TEL: +46 455 960700 FAX: +46 455 82012		Approved by: AN KARLSSON	Scale: 1:1	Projection method: (if any)
Restricted due to:		Information Drawing	Title: EZENTRY 24 KITS	Rev: (if any)
			Drawing number: S1017357	

Rev	Type of revision	Date	Sign
-	-	-	-