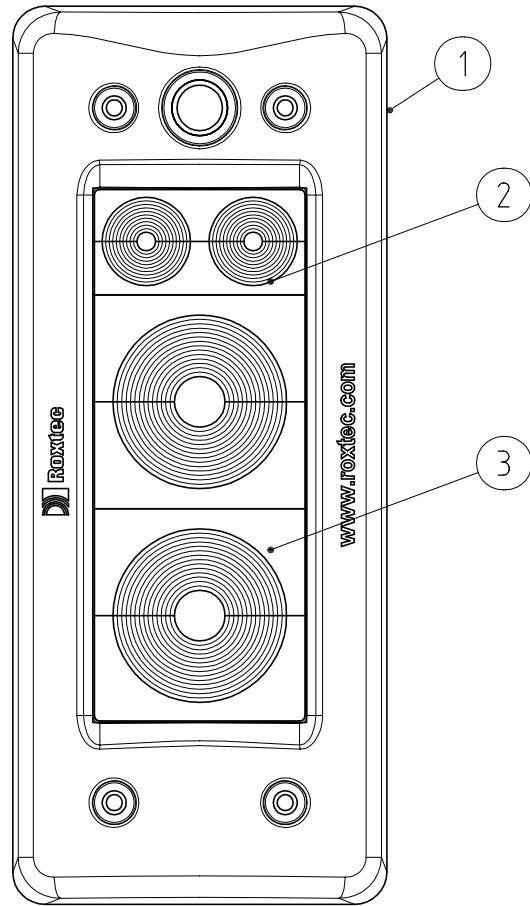
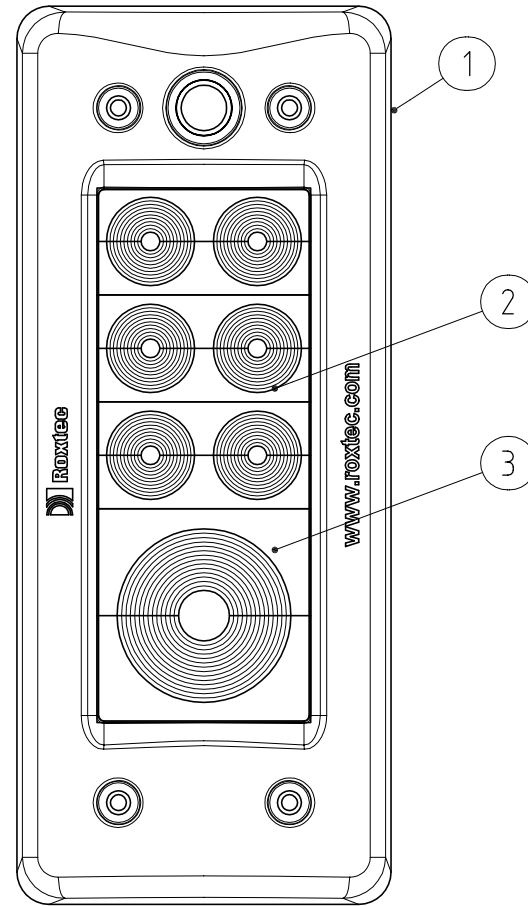


We reserve all rights in this document and in the information contained therein. Reproduction, use or disclosure to third parties without express authority is strictly forbidden. ©ROXTEC INTERNATIONAL AB



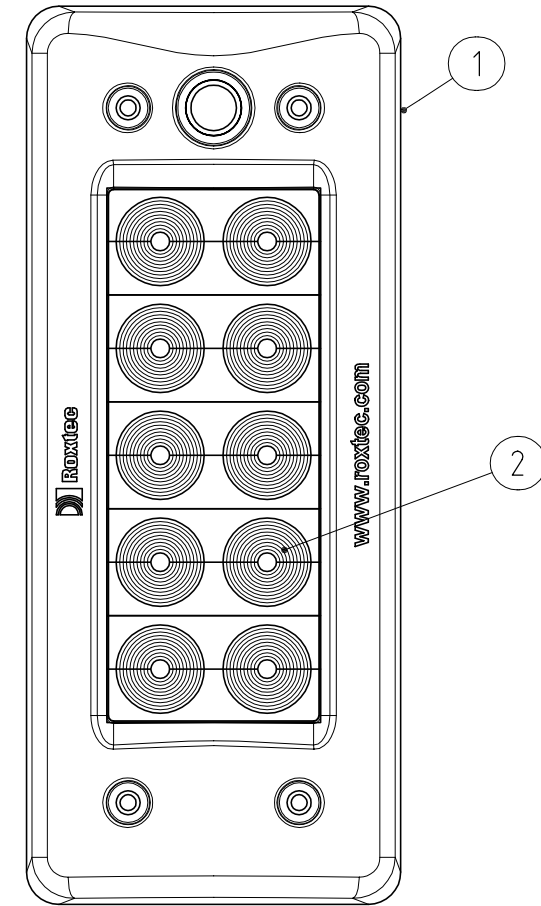
EzEntry 10/4

Pcs	Modules
1	EM 20w40
2	EM 40/10-32



EzEntry 10/7

Pcs	Modules
3	EM 20w40
1	EM 40/10-32



EzEntry 10/10

Pcs	Modules
5	EM 20w40

Rev	Type of revision	Date	Sign
-	-	-	-

3	-	EM 40/10-32	RANGE ϕ 0+9.5-32.5	-	
2	-	EM 20W40	RANGE ϕ 0+3.5-16.5	-	
1	-	EZENTRY 10 FRAME		-	
Item	Qty	Designation	Specification	NetWeight	
ROXTEC INTERNATIONAL AB BOX 540 S-371 23 Karlskrona TEL: +46 455 366700 FAX: +46 455 82012		Designed by S MILTON Checked by AN KARLSSON Approved by AN KARLSSON	Date 2009-05-18 Format A2 Scale 1:1	General tolerance ISO 2768-12-mk EN ISO 1920-BF Welded details EN ISO 5817-B EN ISO 10042-B General surface roughness, Ra 12,5	TotalWeight -
		Title EZENTRY 10 KITS		Projection method 	
Restricted due to INFORMATION DRAWING			Drawing number S1017353	Rev -	