

# Roxtec ComSeal™



**GB** The Roxtec ComSeal™ is a light-weight and area efficient cable sealing solution for cabinets. It is equipped with adaptable sealing modules and supplied as ready-made kits.

- Available in six different sizes
- For use with Group CM components
- Attached on inside or outside of cabinet

**SE** Roxtec ComSeal™ är en lätt och utrymmeseffektiv lösning för kabeltätning i skåp. Genomföringen har anpassningsbara tätningssmoduler och levereras i kompletta kit.

- Finns i sex olika storlekar
- För användning med komponenter ur Grupp CM
- Fästs på in- eller utsidan av skåpet

**FI** Roxtec ComSeal™ on kevyt ja tilankäytöltään tehokas kaapeliläpiviennin kaappeihin ja koteloihin.

- Saatavana kuutena eri kokona
- Käytetään CM-tuoteryhmän komponenttien kanssa
- Kiinnitetään kaapin tai kotelon sisä- tai ulkopuolelle

**IT** Roxtec ComSeal™ e' una soluzione per la sigillatura dei cavi efficace e leggera ideata per i quadri. È dotata di moduli di sigillatura adattabili e fornita sotto forma di kit pronti all'uso.

- Disponibile in sei diverse misure
- Da utilizzare con componenti del gruppo CM
- Da applicare all'interno o all'esterno dei quadri

**RU** Roxtec ComSeal™ представляет собой легкое и эффективное уплотнение для ввода кабелей в шкафы. Оно поставляется с набором уплотнительных модулей, изменяемого диаметра в комплекте.

- Выпускается в шести различных размерах
- Для использования с группой продукции CM
- Возможность монтировать снаружи или внутри шкафа

## ComSeal™ kit, integrated compression unit, aluminum

Alumiiniset ComSeal™-kitit, integroitu puristinyksikkö ▶ Рамы ComSeal™, интегрированный компрессионный блок, алюминиевые ▶ ComSeal™ kit, integrerad kompressionsenhet, aluminium ▶ Telai ComSeal™, unità di compressione integrata, alluminio



ComSeal™ 10

ComSeal™ 12

ComSeal™ 15

ComSeal™ 16

ComSeal™ 30

ComSeal™ 32

See also Installation guidelines on page 203.

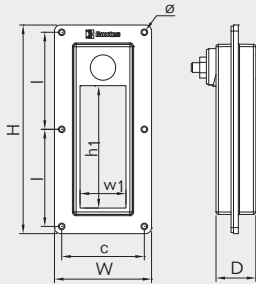
RATINGS	IP: 55
---------	--------

	Diameter range and number of cables/pipes			Weight		Art No.
	(kg)	(lb)	(kg)	(lb)		
<b>FI</b> Kitti	Halkaisijavälit ja kaapelien / putkien lukumäärä			Paino (kg)	(lb)	Tuotenumero
<b>RU</b> Комплект	Диапазон диаметров и количество кабелей/труб			Вес (кг)	(фунт)	Арт.№
<b>SE</b> Kit	Diametermått och antal kablar/rör			Vikt (kg)	(lb)	Artikelnummer
<b>IT</b> Kit	Diametri e numero di cavi/tubi			Peso (kg)	(lb)	Art.Nr.
<b>GB</b> Kit	Diameter range and number of cables/pipes			Weight (kg)	(lb)	Art No.
	0+3.5-16.5 mm 0+0.138-0.650 in (CM 20W40)	0+9.5-32.5 mm 0+0.374-1.280 in (CM 40 10-32)	0+28-43 mm 0+1.102-1.693 in (CM 50)			
ComSeal™ 10/4	2 cables/pipes	2 cables/pipes		0.515	1.13	CS0000000104
ComSeal™ 10/7	6 cables/pipes	1 cable/pipe		0.515	1.13	CS0000000107
ComSeal™ 10/10	10 cables/pipes			0.515	1.13	CS00000001010
ComSeal™ 12/3		3 cables/pipes		0.61	1.34	CS00000001203
ComSeal™ 12/6	4 cables/pipes	2 cables/pipes		0.61	1.34	CS00000001206
ComSeal™ 12/9	8 cables/pipes	1 cable/pipe		0.61	1.34	CS00000001209
ComSeal™ 12/12	12 cables/pipes			0.61	1.34	CS00000001212
ComSeal™ 15/3			3 cables/pipes	0.91	2.0	CS00000001503
ComSeal™ 16/4		4 cables/pipes		0.666	1.47	CS00000000164
ComSeal™ 16/7	4 cables/pipes	3 cables/pipes		0.666	1.47	CS00000000167
ComSeal™ 16/10	8 cables/pipes	2 cables/pipes		0.666	1.47	CS000000001610
ComSeal™ 16/16	16 cables/pipes			0.666	1.47	CS000000001616
ComSeal™ 30/6			6 cables/pipes	1.40	3.09	CS00000003006
ComSeal™ 32/8		8 cables/pipes		1.259	2.78	CS000000003208
ComSeal™ 32/14	8 cables/pipes	6 cables/pipes		1.259	2.78	CS000000003214
ComSeal™ 32/20	16 cables/pipes	4 cables/pipes		1.259	2.78	CS000000003220
ComSeal™ 32/32	32 cables/pipes			1.259	2.78	CS000000003232

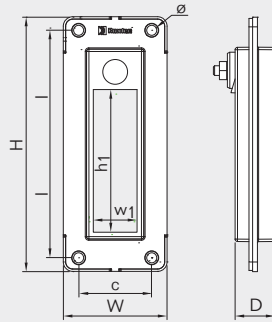
# ComSeal™ frame, technical information

ComSeal™-kehysten tekniset tiedot » Рамы ComSeal™, техническая информация » ComSeal™ ram, teknisk information »  
 Telai ComSeal™, informazioni tecniche

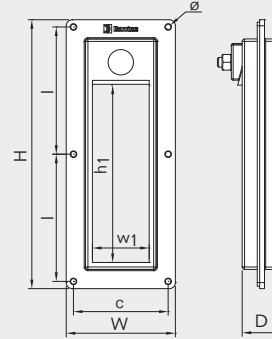
ComSeal™ 10



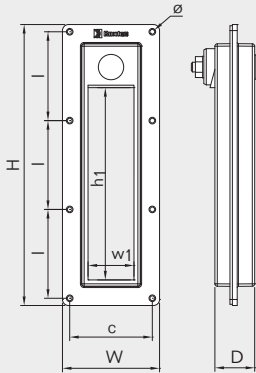
ComSeal™ 12



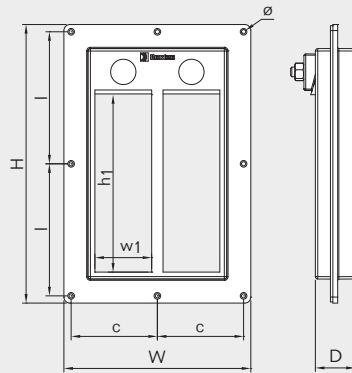
ComSeal™ 15



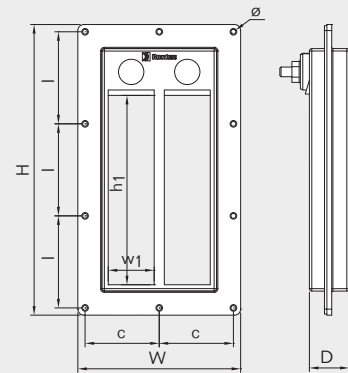
ComSeal™ 16



ComSeal™ 30



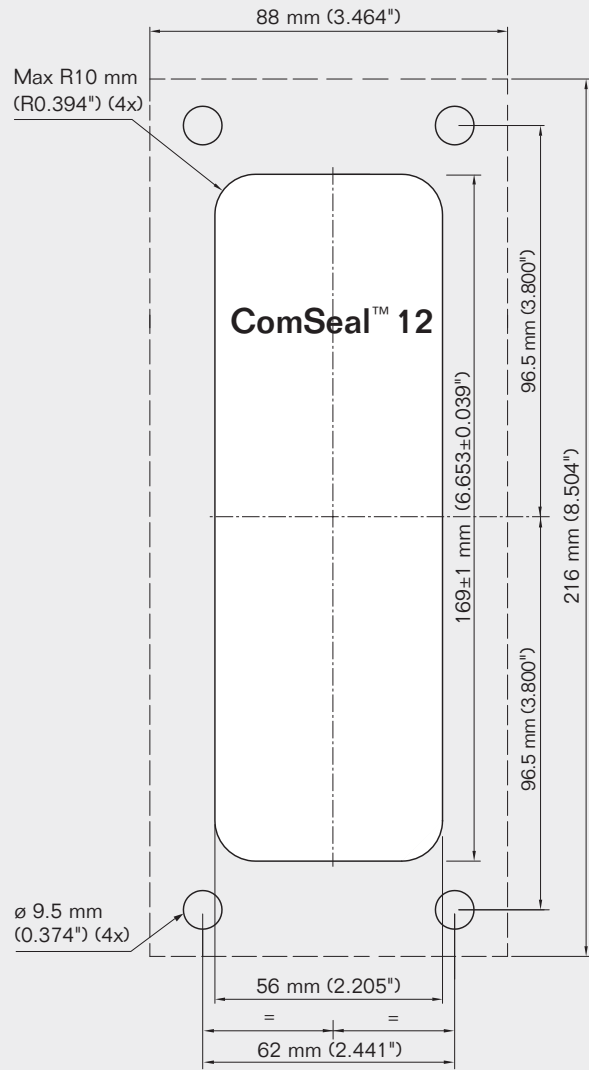
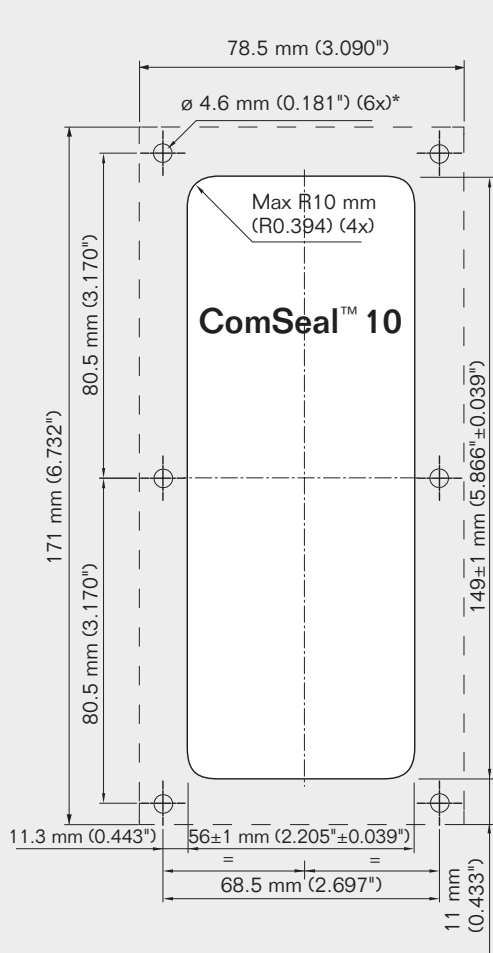
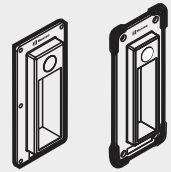
ComSeal™ 32



Pos	ComSeal™ 10		ComSeal™ 12		ComSeal™ 15		ComSeal™ 16		ComSeal™ 30		ComSeal™ 32	
	(mm)	(in)	(mm)	(in)	(mm)	(in)	(mm)	(in)	(mm)	(in)	(mm)	(in)
c	68.5	2.697	62	2.441	78.5	3.091	68.5	2.697	71.5	2.815	61.5	2.421
D	33	1.299	33	1.299	33	1.299	33	1.299	33	1.299	33	1.299
H	173	6.811	216	8.504	223	8.780	233	9.173	231	9.094	241	9.488
h <sub>1</sub>	100	3.937	120	4.724	150	5.906	160	6.299	150	5.906	160	6.299
l	80.5	3.169	193	7.598	105.5	4.154	73.7	2.902	109.5	4.311	76.33	3.005
w <sub>1</sub>	40	1.575	40	1.575	50	1.969	40	1.575	50	1.969	40	1.575
W	80.5	3.169	88	3.465	90.5	3.563	80.5	3.169	155	6.102	135	5.315
∅	5.5	0.217	8.5	0.335	5.5	0.217	5.5	0.217	5.5	0.217	5.5	0.217

Note: All dimensions are nominal values  
 Huomaa: Kaikki mitat ovat nimellisarvoja  
 Внимание: Все размеры номинальные  
 Obs: Angivna mått är nominella  
 Nota: tutte le dimensioni sono valori nominali

Aukon koko ComSeal™ 10, 12-kehykselle  
 ComSeal™ 10, 12 рамы, проёмы  
 ComSeal™ 10, 12 håltagning  
 Telai ComSeal™ 10, 12 dima di foratura



Area that must be unpainted (conductive) for EMC installations.  
 Maalaamaton sähköä johtava alue EMC-asennuksia varten.  
 Зона (токопроводящая), должна быть не окрашена для обеспечения защиты от электромагнитного излучения.  
 Område som måste vara omålat (ledande) vid EMC-installationer.  
 Area da cui rimuovere la vernice per le installazioni EMC (compatibilità elettromagnetica).

Roxtec ComSeal™ 12 fits FL 21 knock-out (hole cut).

\*  $\varnothing 5.5$  (7/32"). Drill bit size when using nuts.

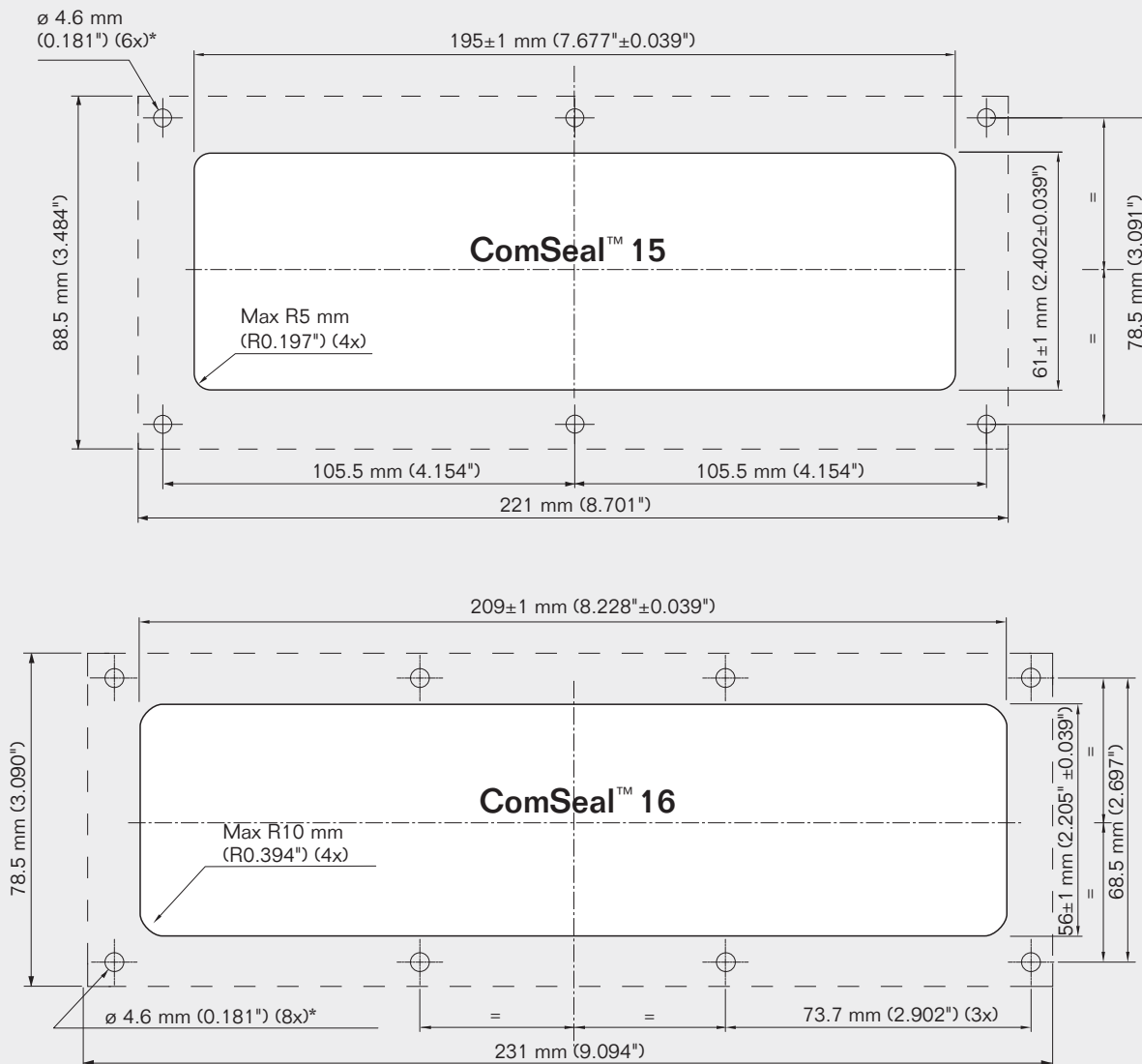
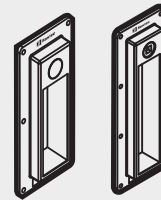
Not scale 1:1

Aukon koko ComSeal™ 15, 16-kehykselle

ComSeal™ 15, 16 рамы, проёмы

ComSeal™ 15, 16, håltagning

Telai ComSeal™ 15, 16, dima di foratura



Area that must be unpainted (conductive) for EMC installations.

Maalaamaton sähköä johtava alue EMC-asennuksia varten.

Зона (токопроводящая), должна быть не окрашена для обеспечения защиты от электромагнитного излучения.

Område som måste vara omålat (ledande) vid EMC-installationer.

Area da cui rimuovere la vernice per le installazioni EMC (compatibilità elettromagnetica).

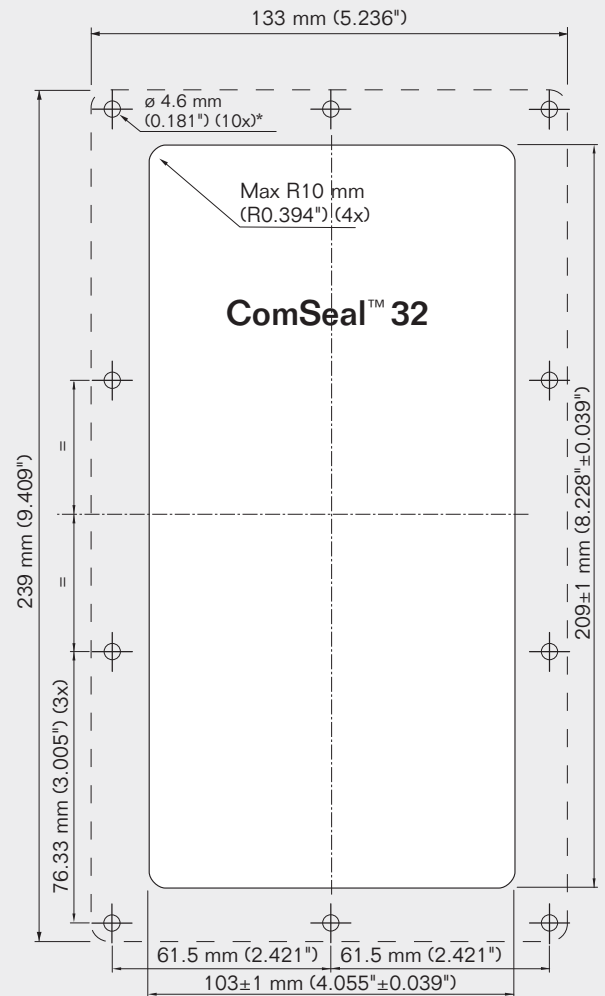
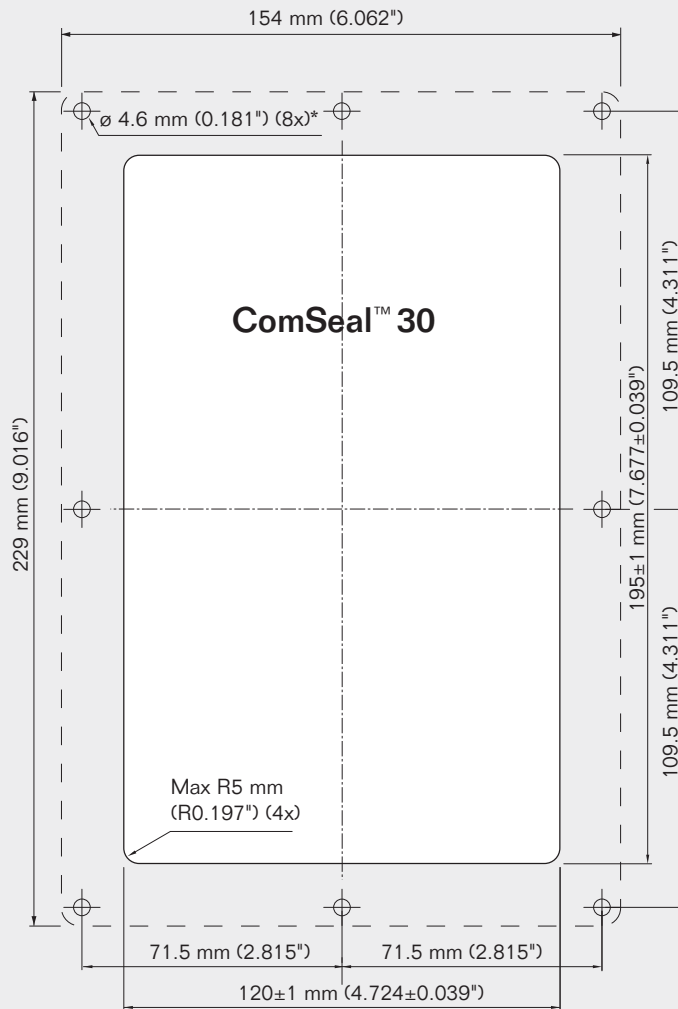
\*  $\varnothing 5.5$  ( $7/32''$ ). Drill bit size when using nuts.

Not scale 1:1

# ComSeal™ 30, 32 frame, holecut

GROUP **CM / CM EMC**

Aukon koko ComSeal™ 30, 32-kehykselle  
 ComSeal™ 30, 32 рамы, проёмы  
 ComSeal™ 30, 32, håltagning  
 Telai ComSeal™ 30, 32, dima di foratura



Area that must be unpainted (conductive) for EMC installations

Maalaamaton sähköä johtava alue EMC-asennuksia varten.

Зона (токопроводящая), должна быть не окрашена для обеспечения защиты от электромагнитного излучения.

Område som måste vara omålat (ledande) vid EMC-installationer.

Area da cui rimuovere la vernice per le installazioni EMC (compatibilità elettromagnetica).

\* ∅ 5.5 (7/32"). Drill bit size when using nuts.

Not scale 1:1