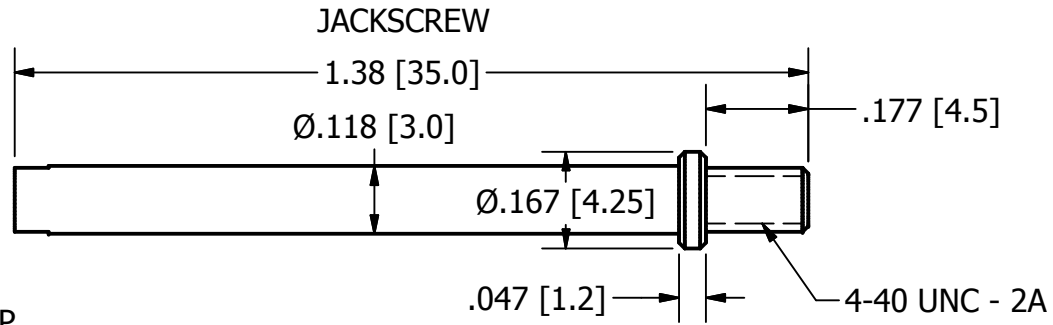


.040 [1.02] X
.059 [1.5] DEEP

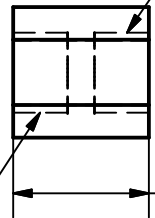


HEX EXTENDER



.197 [4.99]

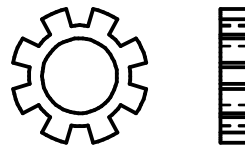
4-40 UNC - 2B



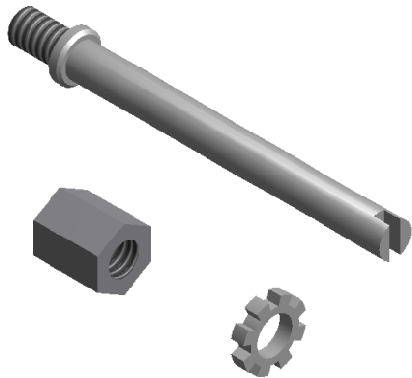
4-40 UNC - 2B

.236 [6.0]

LOCK WASHER



Kit consists of:
2 x Slotted Jackscrew
2 x Hex Extender
2 x Washer



DRAWN	JSD	09-MAY-12
CHECKED	SCN	09-MAY-12
ISSUED		09-MAY-12

Northern Technologies

THIS DRAWING IS THE PROPERTY OF NORTHERN TECHNOLOGIES AND SHOULD NOT BE REPRODUCED WITHOUT NORTHERN TECHNOLOGIES WRITTEN PERMISSION.

PART NUMBER C89E014023
DESCRIPTION FEMALE JACKSCREW KIT

UNLESS OTHERWISE SPECIFIED
DIMENSIONS ARE IN INCHES [MM]
TOLERANCE .XXX ± .010 [0.254]
.XX ± .020 [0.508]
.X ± .030 [0.762]
ANGULAR ± 1/2°

SIZE	CODE	DWG NO.	REV
A	7100_275	7100-500-275	-
SCALE	N.T.S.	SHEET	1 OF 1

THIS IS A CONTROLLED DOCUMENT AND IS SUBJECT TO CHANGE. CONTACT NORTHERN TECHNOLOGIES ENGINEERING FOR THE LATEST REVISION.