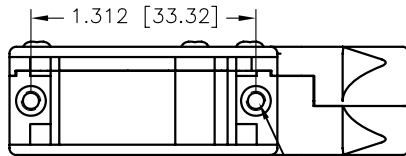
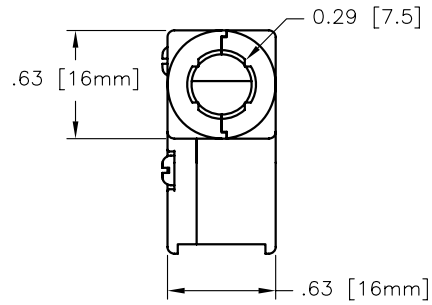
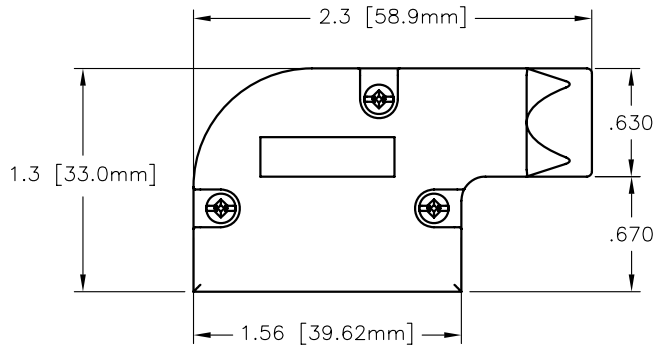
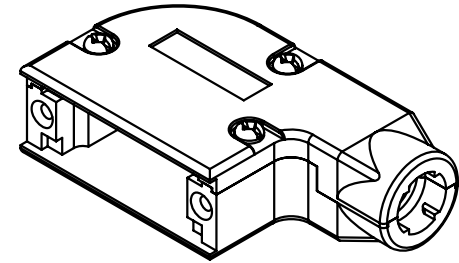
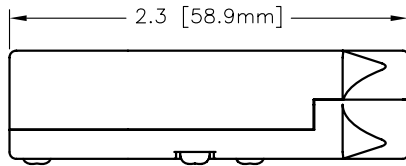


REV	DATE	DESCRIPTION	APP



#4-40 UNC THREAD
CLASS 2B

KIT INCLUDES:

- 1 - COVER TOP - ZINC - NICKEL PLATED
- 1 - COVER BOTTOM - ZINC - NICKEL PLATED
- 3 - #4-40 X 5/16" MACHINE SCREW - STEEL - NICKEL PLATED

UNLESS OTHERWISE SPECIFIED		SIGNATURES	DATE	Northern Technologies		
1. ALL DIMENSIONS ARE IN INCHES [MM] 2. DIMENSIONS - UNLESS STATED ANG. ±5° 0. ±0.02 [.5] .0 ±0.012 [.3] .00 ±0.008 [.2]	DRAWN	JSD	12-NOV-08	PART NUMBER XN30E610003		
	CHECKED	SCN	12-NOV-08	DESCRIPTION CME 15C 90D 7.5MM LP TYPE 2		
	ISSUED		12-NOV-08	SHEET 1	CODE 7100_260	DWG NO. 7100-500-260
				SCALE N.T.S.		SHEET 1 OF 1