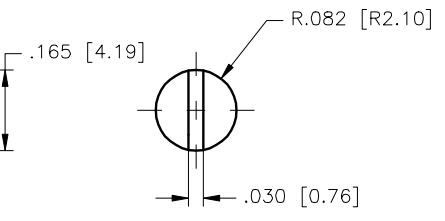
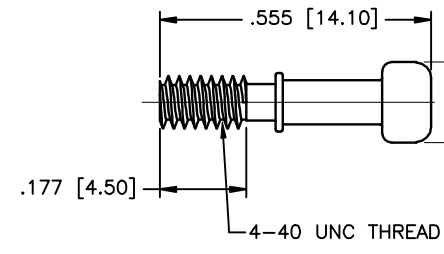
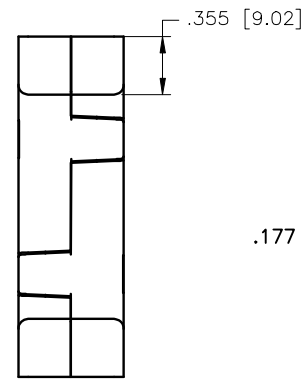
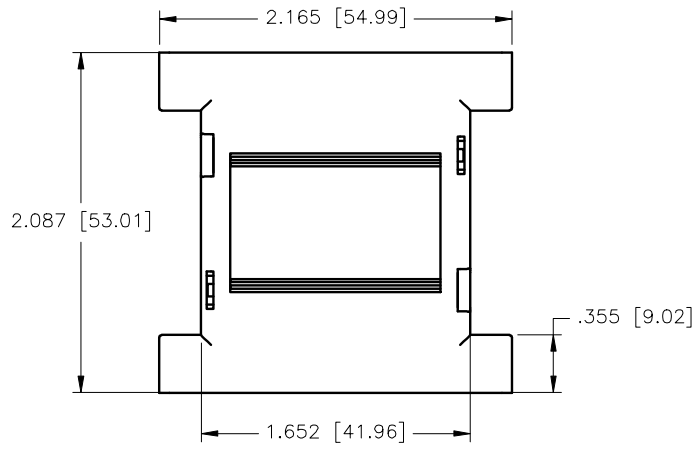
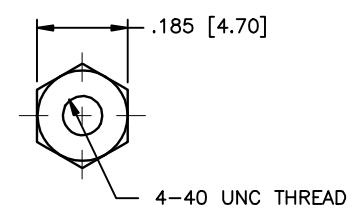
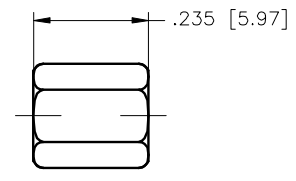
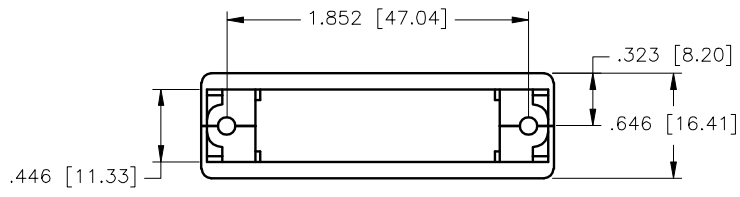
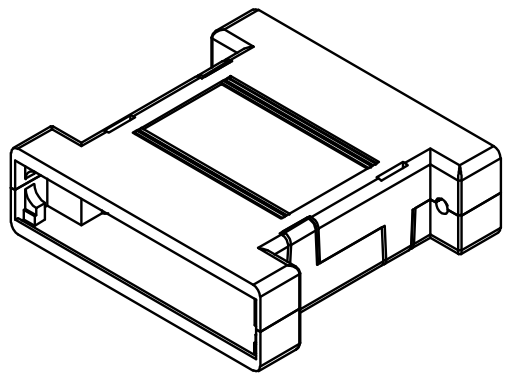


REV	DATE	DESCRIPTION	APP
A	01-MAR-10	ECN 0682	
B	10-JUN-16	ECN 0786	



NOTES:

- MATERIAL: A.B.S. (UL94HB)
- COLOR: SEE NOTE 5
- DIMENSIONS: INCHES [MM]
- KIT INCLUDES:
  - 1 - 2 PC. COVER
  - 4 - #4-40 MATING SCREW
  - 4 - #4-40 HEX EXTENDER
- PART NO. 201E25F25F000 - METALIZED PLASTIC  
 PART NO. 201E25F25F001 - BLACK  
 PART NO. 201E25F25F003 - GRAY



THIS IS A CONTROLLED DOCUMENT AND IS SUBJECT TO CHANGE. CONTACT NORTHERN TECHNOLOGIES ENGINEERING FOR THE LATEST REVISION.

UNLESS OTHERWISE SPECIFIED  1. ALL DIMENSIONS ARE IN INCHES (MM) 2. DIMENSIONS ARE TYPICAL	SIGNATURES		DATE		Northern Technologies		THIS DRAWING IS THE PROPERTY OF NORTHERN TECHNOLOGIES AND SHOULD NOT BE REPRODUCED WITHOUT NORTHERN TECHNOLOGIES WRITTEN PERMISSION.	
	DRAWN	JSD	03-JAN-06					
	CHECKED	SCN	03-JAN-06		PART NUMBER		201E25F25F00X	
	ISSUED		03-JAN-06		DESCRIPTION		25M/F 25M/F GENDER CHANGER COVER	
				SHEET	CODE	DWG NO.		
				1	7100_207	7100-500-207		
				SCALE	N.T.S.		SHEET 1 OF 1	