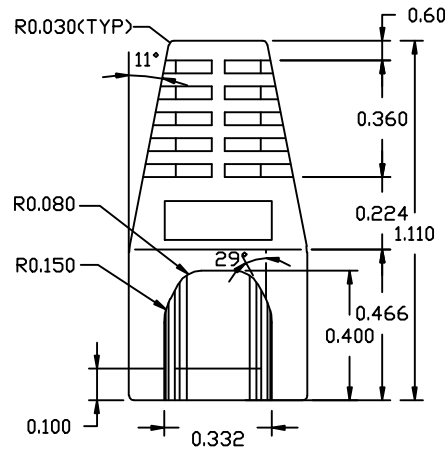
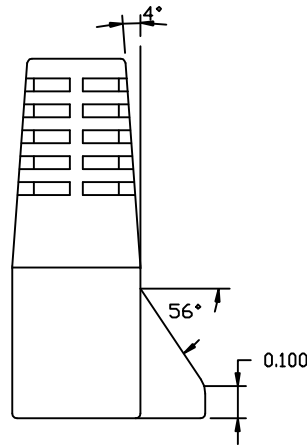
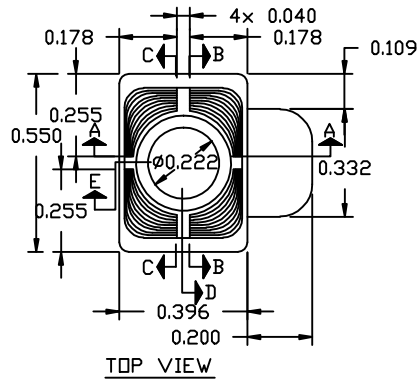


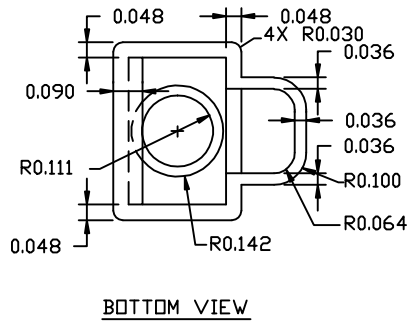
REV	DATE	DESCRIPTION	APP
A	13-JUN-16	ECN 0789	



FLEXIBLE TRANSLUCENT PLASTIC COVER/
STRAIN RELIEF FOR RJ-45 PLUGS

PART NUMBER	COLOR
3000E10004T	TRANSLUCENT YELLOW
3000E10005T	TRANSLUCENT GREEN
3000E10006T	TRANSLUCENT BLUE
3000E10007T	TRANSLUCENT PURPLE
3000E10008T	TRANSLUCENT RED

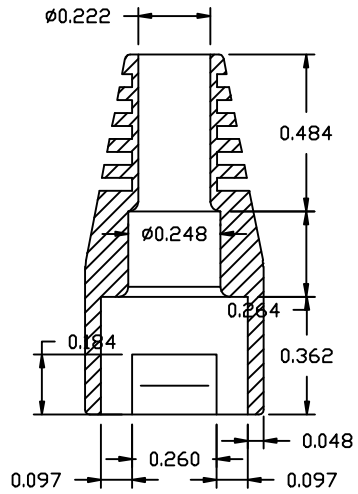
NOTE:
1. MATERIAL: FLEXIBLE PVC



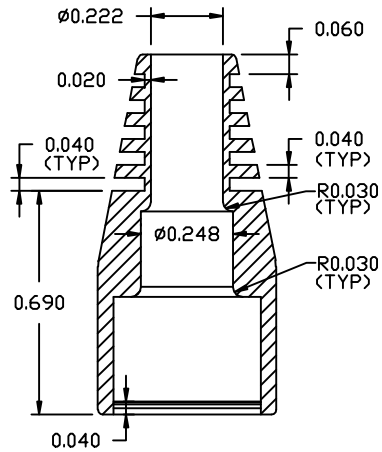
THIS IS A CONTROLLED DOCUMENT AND IS
SUBJECT TO CHANGE. CONTACT NORTHERN
TECHNOLOGIES ENGINEERING FOR THE
LATEST REVISION.

UNLESS OTHERWISE SPECIFIED	SIGNATURES	DATE	Northern Technologies	
1. ALL DIMENSIONS ARE IN INCHES (MM) 2. DIMENSIONS ARE TYPICAL	DRAWN J.S.D.	24-MAR-06	THIS DRAWING IS THE PROPERTY OF NORTHERN TECHNOLOGIES AND SHOULD NOT BE REPRODUCED WITHOUT NORTHERN TECHNOLOGIES WRITTEN PERMISSION.	
	CHECKED S.C.N.	24-MAR-06	PART NUMBER 3000E100XXT	
	ENG		DESCRIPTION RJ-45 STRAIN RELIEF TRANSLUCENT	
	ISSUED	24-MAR-06	SHEET 1	CODE 7100_190
			SCALE N.T.S.	SHEET 1 OF 2

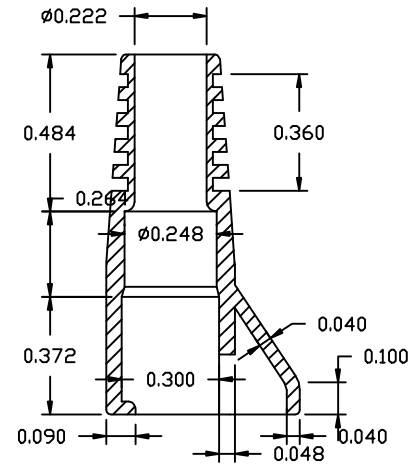
REV	DATE	DESCRIPTION	APP



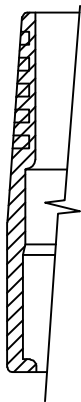
SECTION B-B



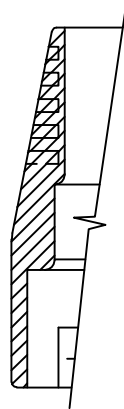
SECTION C-C



SECTION A-A



SECTION E-E



SECTION D-D

THIS IS A CONTROLLED DOCUMENT AND IS SUBJECT TO CHANGE. CONTACT NORTHERN TECHNOLOGIES ENGINEERING FOR THE LATEST REVISION.

UNLESS OTHERWISE SPECIFIED 1. ALL DIMENSIONS ARE IN INCHES (MM) 2. DIMENSIONS ARE TYPICAL	SIGNATURES	DATE	Northern Technologies		THIS DRAWING IS THE PROPERTY OF NORTHERN TECHNOLOGIES AND SHOULD NOT BE REPRODUCED WITHOUT NORTHERN TECHNOLOGIES WRITTEN PERMISSION.
	DRAWN J.S.D.	24-MAR-06	PART NUMBER 3000E100XXT		
	CHECKED S.C.N.	24-MAR-06	DESCRIPTION RJ-45 STRAIN RELIEF TRANSLUCENT		
	ENG		SHEET 2	CODE 7100_190	DWG NO. 7100-500-190
	ISSUED	24-MAR-06	SCALE N.T.S.		SHEET 2 OF 2