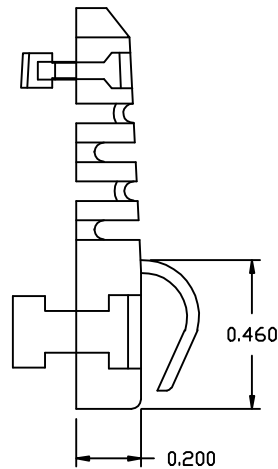
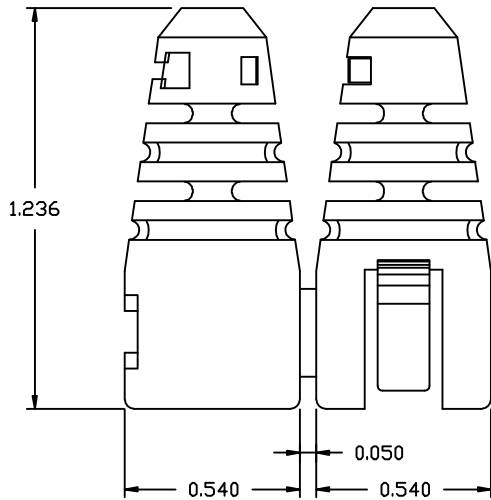
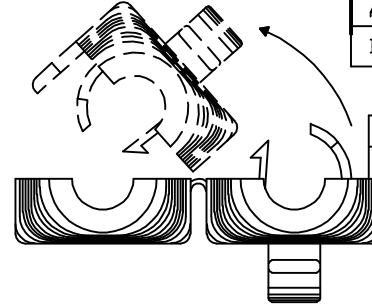
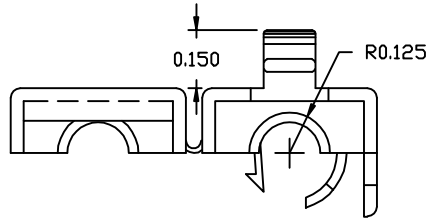


REV	DATE	DESCRIPTION	APP
A	13-JUN-16	ECN 0789	
B	04-OCT-19	ECN 0811	



SNAP-ON PLASTIC COVER/  
STRAIN RELIEF FOR RJ-45 PLUGS

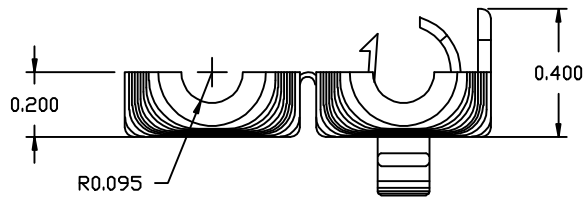
PART NUMBER    COLOUR

- 3010E10001 --- BLACK
- 3010E10003 --- DARK GRAY\*\*
- 3010E10004 --- YELLOW
- 3010E10006 --- BLUE
- 3010E10007 --- VIOLET
- 3010E10008 --- RED
- 3010E10009 --- LIGHT GREEN
- 3010E10010 --- WHITE
- 3010E10011 --- LIGHT GRAY

NOTE:

1. MATERIAL: POLYPROPYLENE HOMOPOLYMER

\*\* 3010E10003 IS A SPECIAL ORDER ITEM  
CONTACT SALES FOR MINIMUM ORDER QUANTITY



THIS IS A CONTROLLED DOCUMENT AND IS  
SUBJECT TO CHANGE. CONTACT NORTHERN  
TECHNOLOGIES ENGINEERING FOR THE  
LATEST REVISION.

UNLESS OTHERWISE SPECIFIED	SIGNATURES	DATE	Northern Technologies		THIS DRAWING IS THE PROPERTY OF NORTHERN TECHNOLOGIES AND SHOULD NOT BE REPRODUCED WITHOUT NORTHERN TECHNOLOGIES WRITTEN PERMISSION.
1. ALL DIMENSIONS ARE IN INCHES (MM) 2. DIMENSIONS ARE TYPICAL	DRAWN	L.C.	21-JUN-05	PART NUMBER 3010E1000X	
	CHECKED	JSD	21-JUN-05	DESCRIPTION SNAP-ON RJ-45 STRAIN RELIEF	
	ENG				
	ISSUED		21-JUN-05	SHEET 1	CODE 7100_094
			SCALE N.T.S.		SHEET 1 OF 1