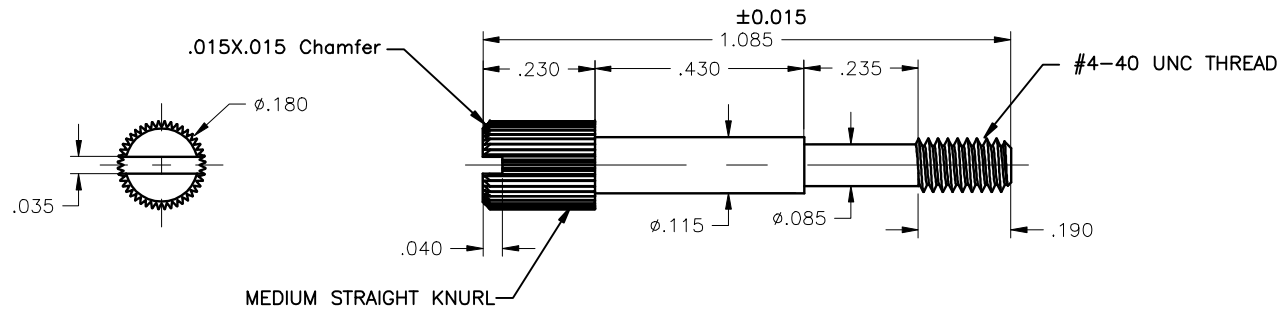


REV	DATE	DESCRIPTION	APP
A	19-APR-13	ECN 0720	
B	31-MAR-15	ECN 0767	



NOTES:

1. MATERIAL: 1215 LEAD FREE STEEL OR EQUIV.
2. FINISH: ZINC TRIVALENT CHROMATE
3. ALL DIMENSIONS IN INCHES
4. TOLERANCE: ± 0.005 UNLESS OTHERWISE STATED

UNLESS OTHERWISE SPECIFIED	SIGNATURES	DATE	Northern Technologies		
1. ALL DIMENSIONS ARE IN INCHES (MM) 2. DIMENSIONS ARE TYPICAL	DRAWN Luis C.	10-OCT-07	PART NUMBER B71E014311 DESCRIPTION #4-40 x 1.085 THUMBSCREW		
	CHECKED JSD	10-OCT-07			
	ENG		SHEET 1	CODE 520_268	DWG NO. 0002-520-268
	ISSUED		11-DEC-07	SCALE N.T.S.	SHEET 1 OF 1

THIS DRAWING IS THE PROPERTY OF NORTHERN TECHNOLOGIES AND SHOULD NOT BE REPRODUCED WITHOUT NORTHERN TECHNOLOGIES WRITTEN PERMISSION.

THIS IS A CONTROLLED DOCUMENT AND IS SUBJECT TO CHANGE. CONTACT NORTHERN TECHNOLOGIES ENGINEERING FOR THE LATEST REVISION.