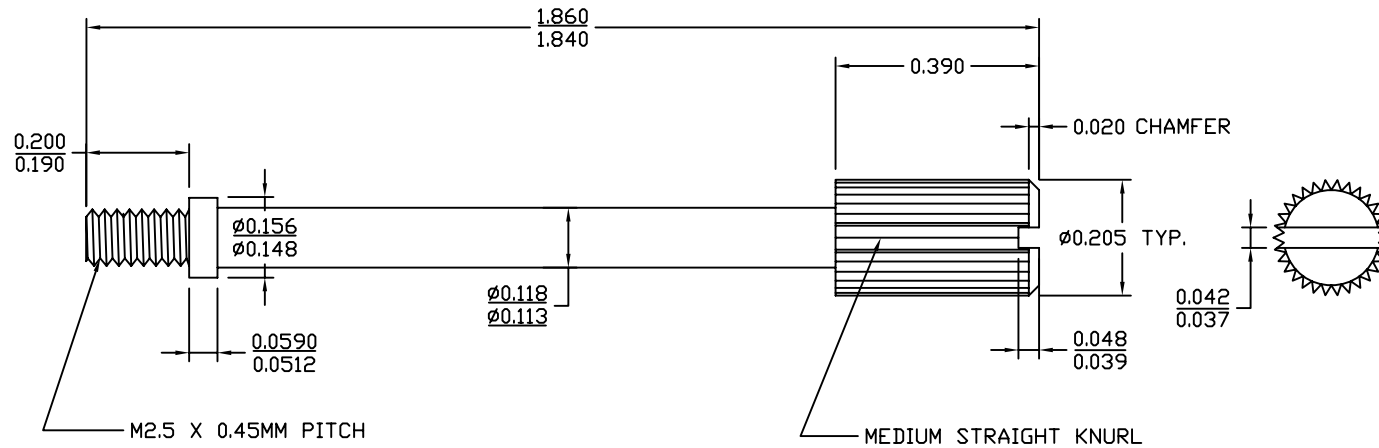


REV	DATE	DESCRIPTION	APP



NOTES:

1. MATERIAL: MILD STEEL
2. FINISH: CLEAR ZINC
3. ALL DIMENSIONS IN INCHES
4. TOLERANCE:  $\pm 0.005$  UNLESS OTHERWISE STATED

UNLESS OTHERWISE SPECIFIED  1. ALL DIMENSIONS ARE IN INCHES (MM) 2. DIMENSIONS ARE TYPICAL	SIGNATURES		DATE	Northern Technologies  PART NUMBER B71E014401M25Z DESCRIPTION M2.5 X 1.85 T/SCREW Zn			THIS DRAWING IS THE PROPERTY OF NORTHERN TECHNOLOGIES AND SHOULD NOT BE REPRODUCED WITHOUT NORTHERN TECHNOLOGIES WRITTEN PERMISSION.
	DRAWN	JSD	21-MAY-08				
	CHECKED	SCN	21-MAY-08	SHEET	CODE	DWG NO.	
	ISSUED		21-MAY-08	1	520_261M25Z	0002-520-261M25Z	
	ENG			SCALE	N.T.S.	SHEET 1 OF 1	

THIS IS A CONTROLLED DOCUMENT AND IS SUBJECT TO CHANGE. CONTACT NORTHERN TECHNOLOGIES ENGINEERING FOR THE LATEST REVISION.