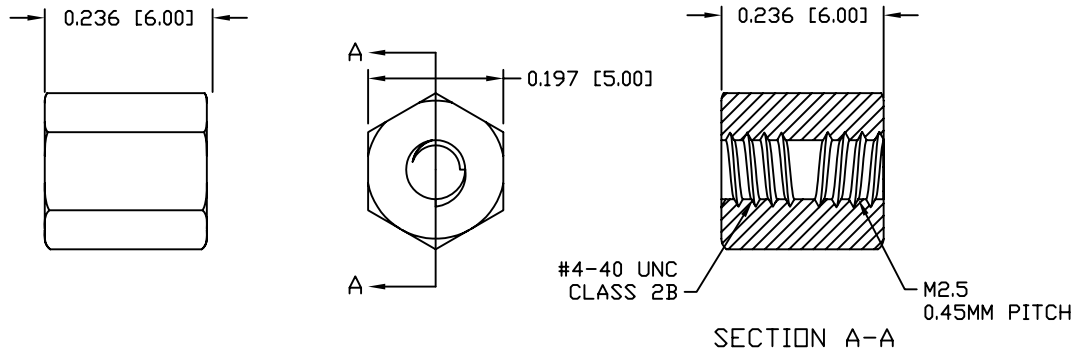
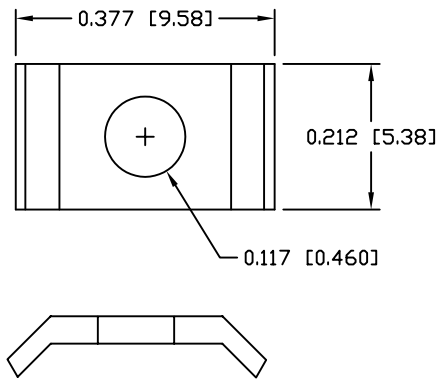


REV	DATE	DESCRIPTION	APP

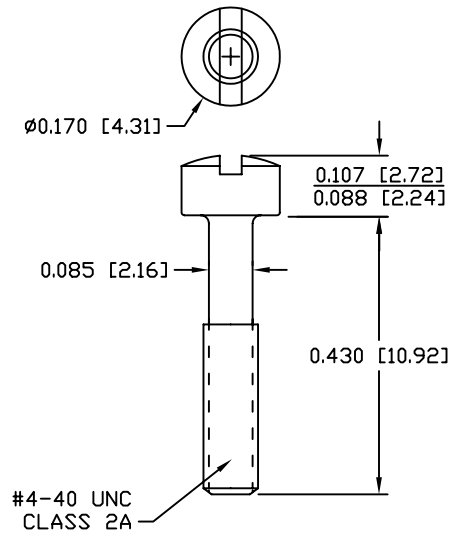
HEX EXTENDER
QTY: 2 EACH



SADDLE WASHER
QTY: 2 EACH



CAPTIVE SCREW
QTY: 2 EACH



- HEX EXTENDER
1. MATERIAL: BRASS
 2. FINISH: NICKEL PLATE
 3. DIMENSIONS: INCHES [MM]
 4. TOLERANCE: ±0.005 [0.127] UNLESS OTHERWISE STATED

- SADDLE WASHER
1. MATERIAL: C1008 - C1010 STEEL
 2. FINISH: CLEAR ZINC (HEXAVALENT CHROMIUM FREE)
 3. DIMENSIONS: INCHES [MM]
 4. TOLERANCE: ±0.010 [0.254] UNLESS OTHERWISE STATED

- CAPTIVE SCREW
1. MATERIAL: 12L14 FREE-MACHINING STEEL
 2. FINISH: CLEAR ZINC (HEXAVALENT CHROMIUM FREE)
 3. DIMENSIONS: INCHES [MM]
 4. TOLERANCE: ±0.010 [0.254] UNLESS OTHERWISE STATED

THIS IS A CONTROLLED DOCUMENT AND IS SUBJECT TO CHANGE. CONTACT NORTHERN TECHNOLOGIES ENGINEERING FOR THE LATEST REVISION.

UNLESS OTHERWISE SPECIFIED	SIGNATURES	DATE	Northern Technologies		
1. DIMENSIONS IN INCHES [MM] 2. TOLERANCE UNLESS OTHERWISE SPECIFIED .XXX ± .005 [0.127] .XX ± .02 [0.508] .X ± .03 [0.762] FRACT. ± 1/32° ANGULAR ± 1/2°	DRAWN JSD	01-JAN-07	THIS DRAWING IS THE PROPERTY OF NORTHERN TECHNOLOGIES AND SHOULD NOT BE REPRODUCED WITHOUT NORTHERN TECHNOLOGIES WRITTEN PERMISSION.		
	CHECKED SCN	01-JAN-07	PART NUMBER C89E014051		
	ENG		DESCRIPTION M2.5 HEX EXTENDER KIT RoHS		
	ISSUED	01-FEB-07	SHEET 1	CODE 520_209	DWG NO. 0002-520-209
			SCALE N.T.S.		SHEET 1 OF 1