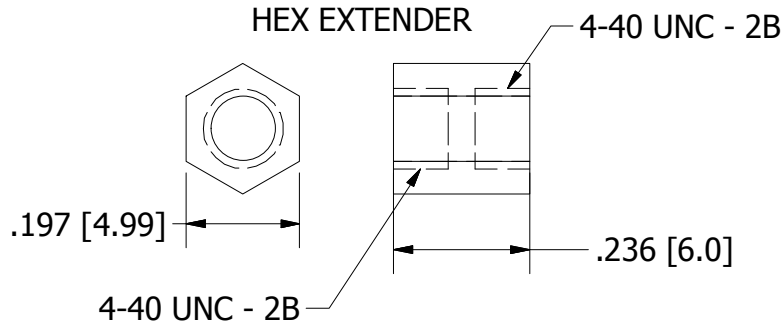


2

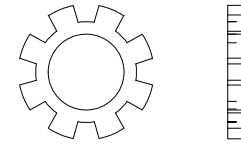
1

B

B



LOCK WASHER



Kit consists of:  
 2 x Hex Extender  
 2 x Lock Washer



DRAWN	JSD	03-FEB-12	<b>Northern Technologies</b> <small>THIS DRAWING IS THE PROPERTY OF NORTHERN TECHNOLOGIES AND SHOULD NOT BE REPRODUCED WITHOUT NORTHERN TECHNOLOGIES WRITTEN PERMISSION.</small>		
CHECKED	SCN	03-FEB-12			
ISSUED		03-FEB-12			
<small>UNLESS OTHERWISE SPECIFIED DIMENSIONS ARE IN INCHES [MM]        TOLERANCE .XX ± .010 [0.254]        .X ± .020 [0.508]</small>			PART NUMBER C89E014050L DESCRIPTION #4-40 HEX EXTENDER KIT TYPE L		
<small>ANGULAR ± 2°</small>			SIZE A CODE 520_208L SCALE N.T.S.	DWG NO. 0002-520-208L SHEET 1 OF 1	REV -

THIS IS A CONTROLLED DOCUMENT AND IS SUBJECT TO CHANGE. CONTACT NORTHERN TECHNOLOGIES ENGINEERING FOR THE LATEST REVISION.

2

1

A

A