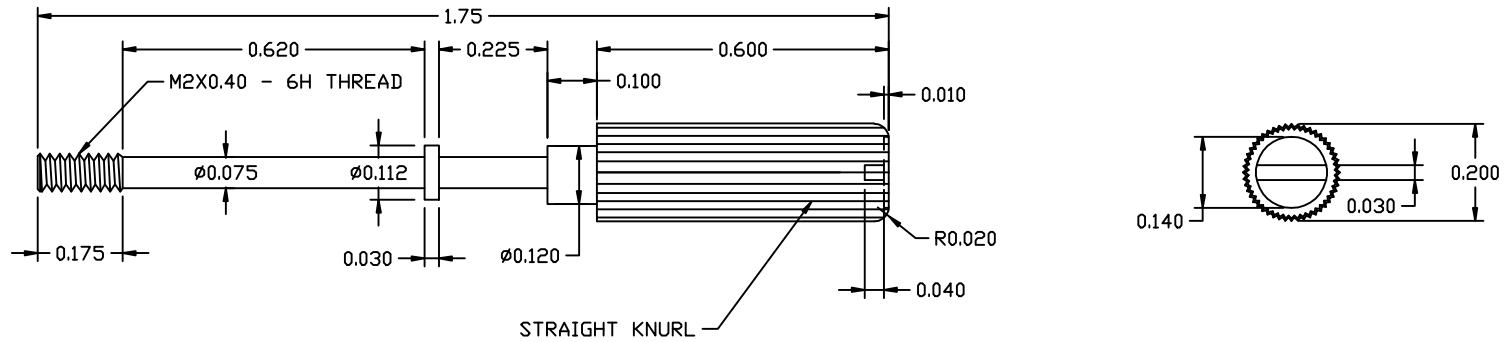


REV	DATE	DESCRIPTION	APP
A	19-APR-13	ECN 0720	



NOTES:

1. MATERIAL: 12L14 FREE-MACHINING STEEL
2. FINISH: BRIGHT NICKEL PLATING
3. ALL DIMENSIONS IN INCHES
4. TOLERANCE:
 

DECIMALS	ANGLES
.XX ±0.015	±2°
.XXX ±0.005	
5. ALL DIMENSIONS APPLY AFTER PLATING
6. KNOB MATERIAL: PVC-108
7. KNOB COLOR: BLACK

THIS IS A CONTROLLED DOCUMENT AND IS SUBJECT TO CHANGE. CONTACT NORTHERN TECHNOLOGIES ENGINEERING FOR THE LATEST REVISION.

UNLESS OTHERWISE SPECIFIED	SIGNATURES	DATE	Northern Technologies		THIS DRAWING IS THE PROPERTY OF NORTHERN TECHNOLOGIES AND SHOULD NOT BE REPRODUCED WITHOUT NORTHERN TECHNOLOGIES WRITTEN PERMISSION.
1. ALL DIMENSIONS ARE IN INCHES (MM) 2. DIMENSIONS ARE TYPICAL	DRAWN JSD	01-FEB-05	PART NUMBER B71E300606M2		
	CHECKED SCN	01-FEB-05	DESCRIPTION M2 X 1.75 T/SCREW W/BLACK KNOB		
	ENG				
	ISSUED	16-SEP-05	SHEET 1	CODE 520_178	DWG NO. 0002-520-178
			SCALE N.T.S.		SHEET 1 OF 1