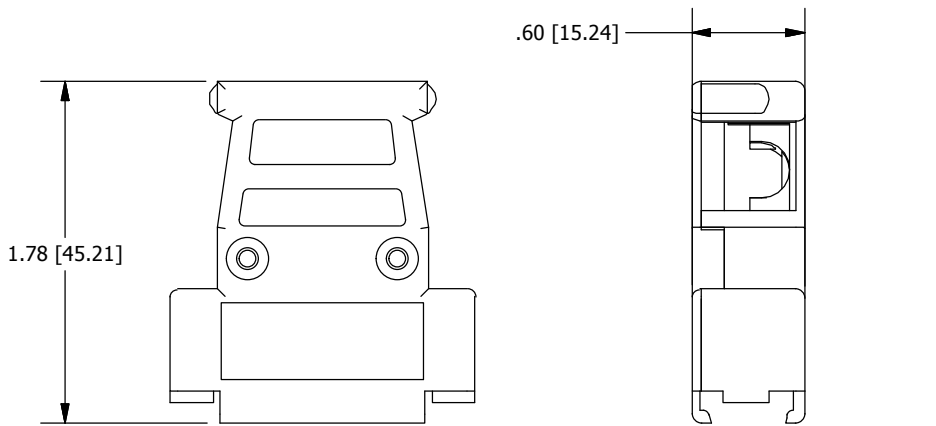

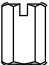



REV	DESCRIPTION	DATE	APPR
A	ECN0823	21-DEC-20	JD

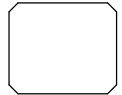


 Clamp: CR Steel w/zinc plating

 Assembly Screw: CR Steel w/zinc plating

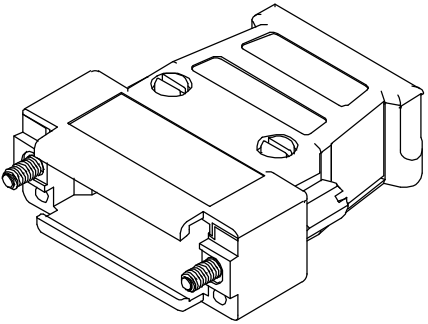
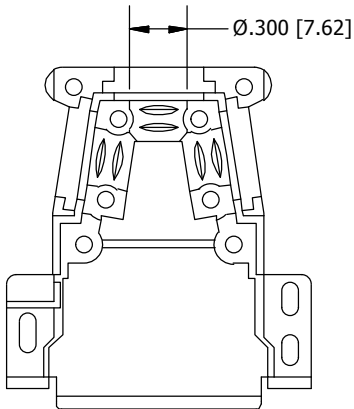
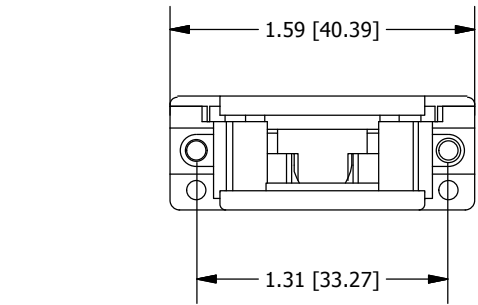
 Thumbscrew: steel w/zinc plating

 #4-40 UNC

 Blanking Plate: Plastic
Black for N300BK0015S
Metalized Plastic for N300MP0015S

- Kit consists of:
- 1 - cover top
 - 1 - cover bottom
 - 2 - thumbscrews
 - 4 - assembly screws
 - 1 - cable clamp
 - 2 - blanking plates

PART NUMBERS:
Black Plastic - N300BK0015S
Metalized Plastic - N300MP0015S



DRAWN	JSD	09-APR-15
CHECKED	SCN	09-APR-15
ISSUED		09-APR-15

Northern Technologies

THIS DRAWING IS THE PROPERTY OF NORTHERN TECHNOLOGIES AND SHOULD NOT BE REPRODUCED WITHOUT NORTHERN TECHNOLOGIES WRITTEN PERMISSION.

PART NUMBER SEE PART NUMBER INFORMATION
DESCRIPTION CPP3/CMP3 15 3WAY EXIT

UNLESS OTHERWISE SPECIFIED
DIMENSIONS ARE IN INCHES [MM]
TOLERANCE .XXX ± .010 [0.254]
.XX ± .020 [0.508]
.X ± .030 [0.762]
ANGULAR ± 1½°

SIZE	CODE	DWG NO.	REV
A	200_284	0002-200-284	-
SCALE	N.T.S.	SHEET 1 OF 1	

THIS IS A CONTROLLED DOCUMENT AND IS SUBJECT TO CHANGE. CONTACT NORTHERN TECHNOLOGIES ENGINEERING FOR THE LATEST REVISION.