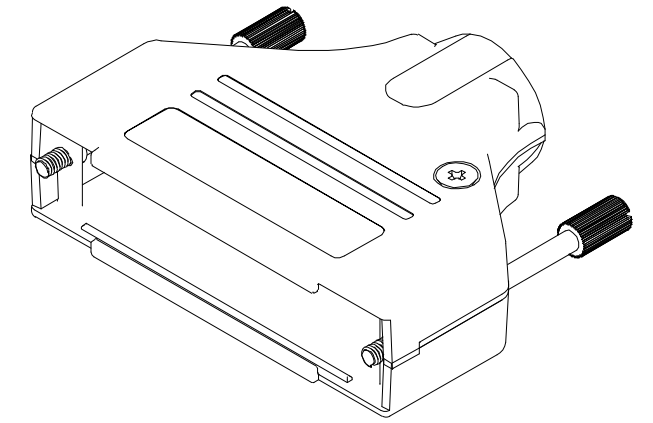
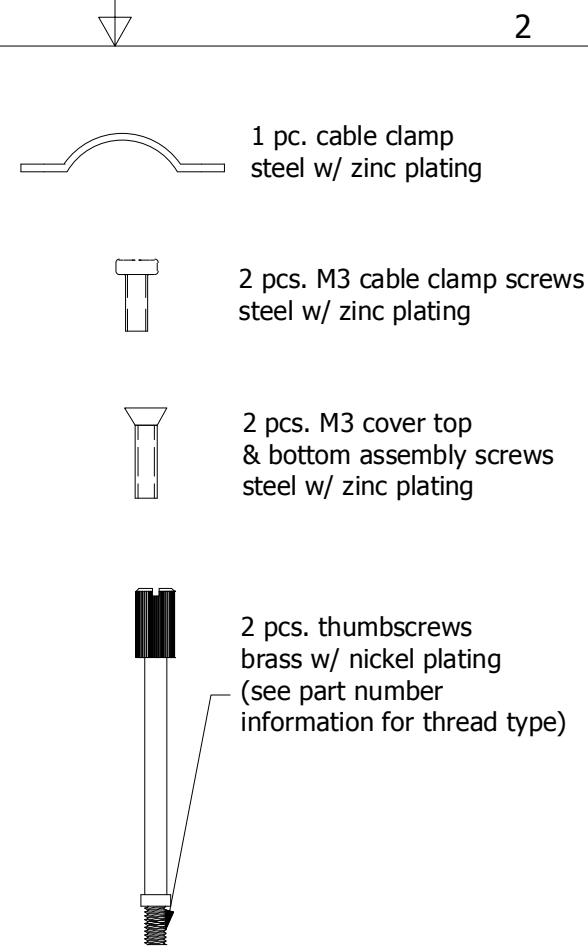
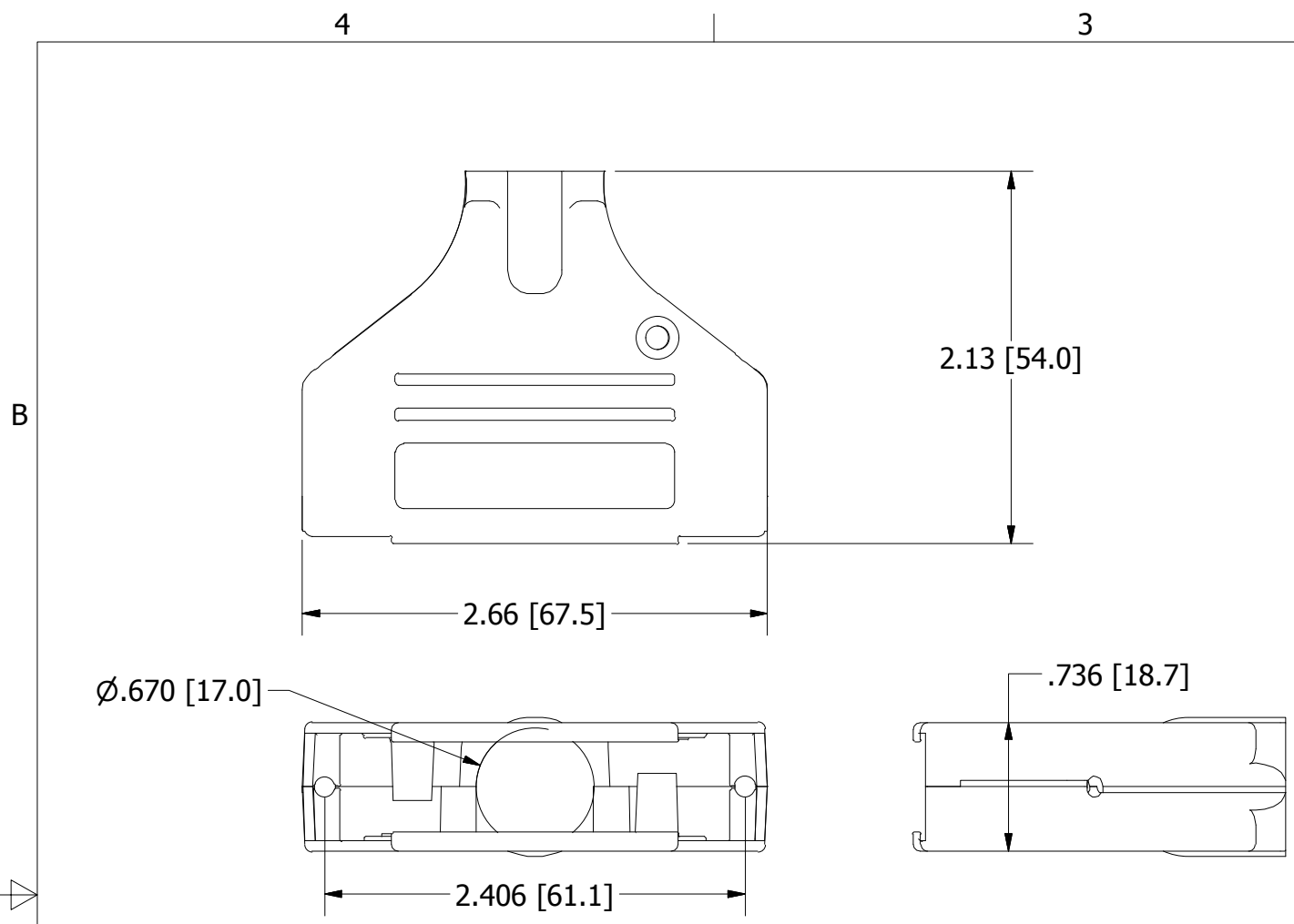


REV	DESCRIPTION	DATE	APPROVED
A	ECN 0784	06-JUN-16	P.Eng
B	ECN 0805	07-MAR-19	P. Eng



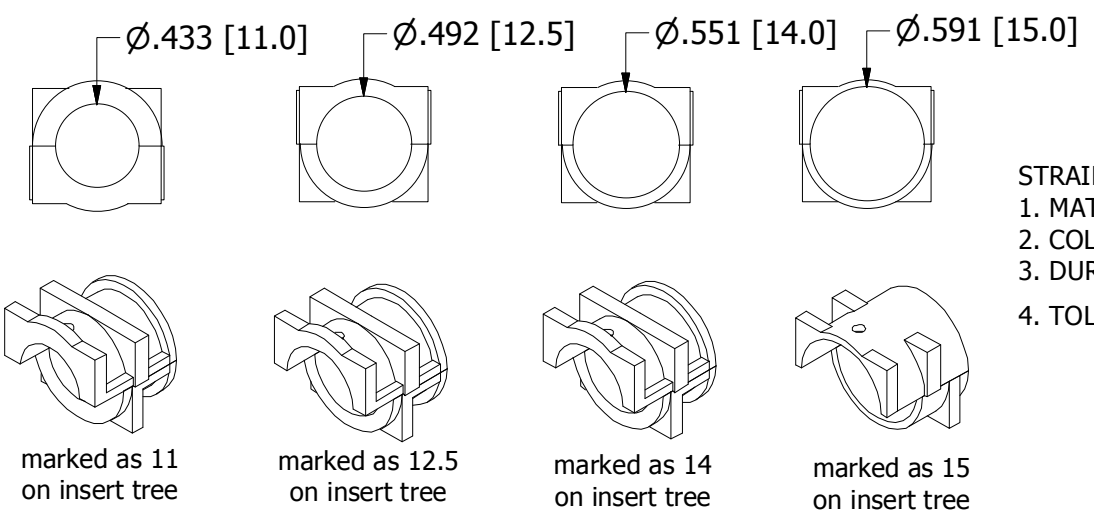
CONNECTOR COVER
 1. MATERIAL: Zinc die-cast
 2. FINISH: nickel over copper under-plate

Suitable for standard 50 position d-sub or 78 position hi-density d-sub connectors.

PART NUMBER INFORMATION

PART #	LOGO STYLE	THREAD	SUPPLIED
MHDETZK50K	NO LOGO	4-40 UNC	PACKAGED
MHDETZK50KM25	NO LOGO	M2.5	PACKAGED
MHDETZK50KM26	NO LOGO	M2.6	PACKAGED
MHDETZK50KM3	NO LOGO	M3	PACKAGED

2 Piece Strain Relief System - 4 sizes totalling 8 pieces.
 Inserts can be mixed for maximum cable retention.



STRAIN RELIEFS
 1. MATERIAL: ABS
 2. COLOR: black
 3. DUROMETER: 70 - Type D
 4. TOLERANCE: ± 0.015 [0.381]

DRAWN	JSD	06-MAR-19	Northern Technologies	THIS DRAWING IS THE PROPERTY OF NORTHERN TECHNOLOGIES AND SHOULD NOT BE REPRODUCED WITHOUT NORTHERN TECHNOLOGIES WRITTEN PERMISSION.
CHECKED	SCN	07-MAR-19		
ISSUED		07-MAR-19		
UNLESS OTHERWISE SPECIFIED			PART NUMBER	SEE PART NUMBER INFORMATION
DIMENSIONS ARE IN INCHES [MM]			DESCRIPTION	CMA 50 STRAIGHT EXIT METAL COVER Ni PLATED
TOLERANCE .XXX $\pm .010$ [0.254]			SIZE	CODE
.XX $\pm .020$ [0.508]			B	200_282
.X $\pm .030$ [0.762]			DWG NO.	0002-200-282
ANGULAR $\pm 1\frac{1}{2}^\circ$			SCALE	NTS
				SHEET 1 OF 1

THIS IS A CONTROLLED DOCUMENT AND IS SUBJECT TO CHANGE. CONTACT NORTHERN TECHNOLOGIES FOR THE LATEST REVISION.