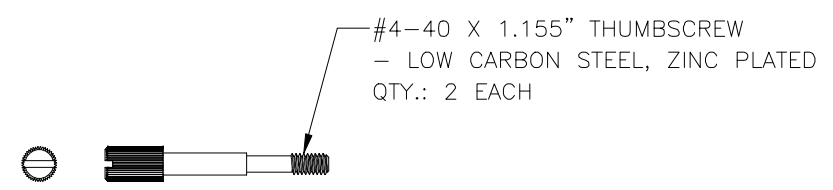
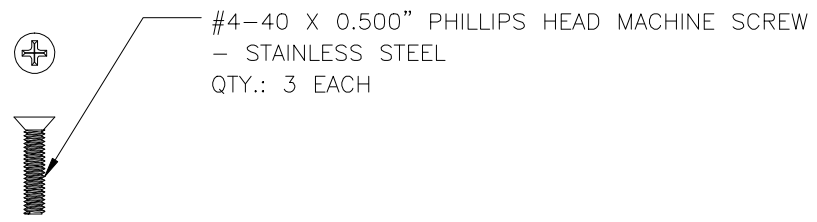
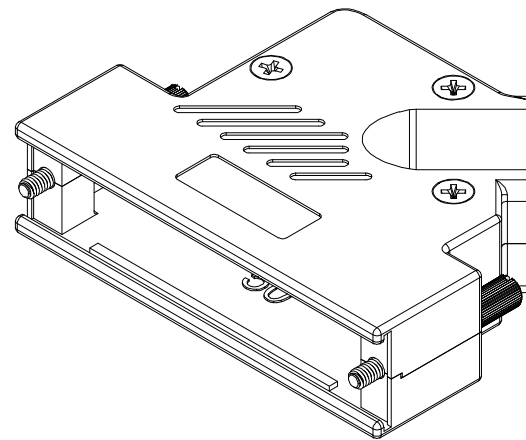
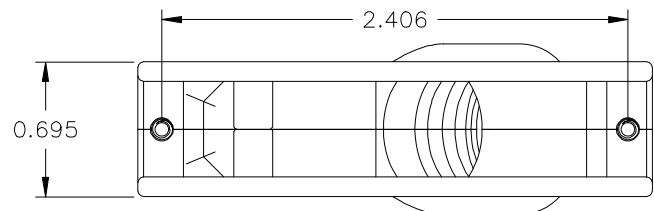
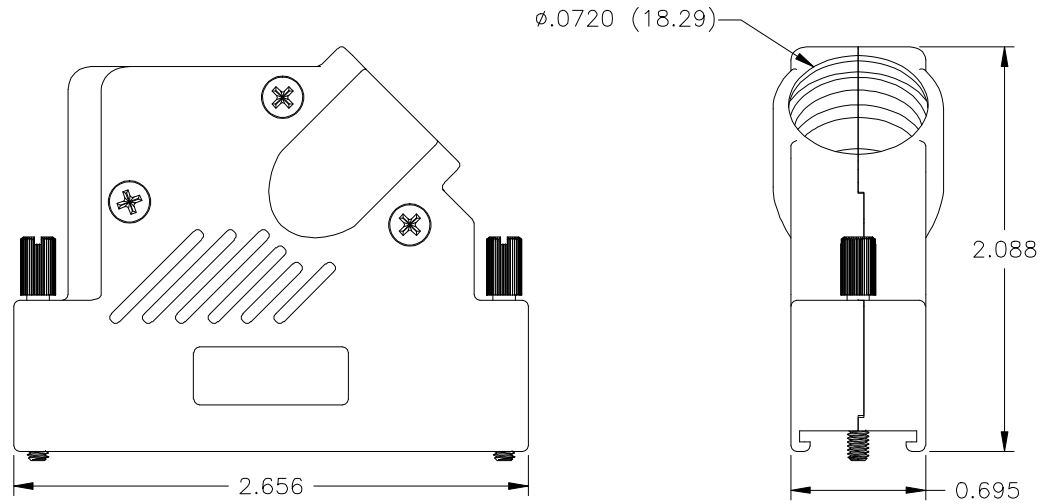


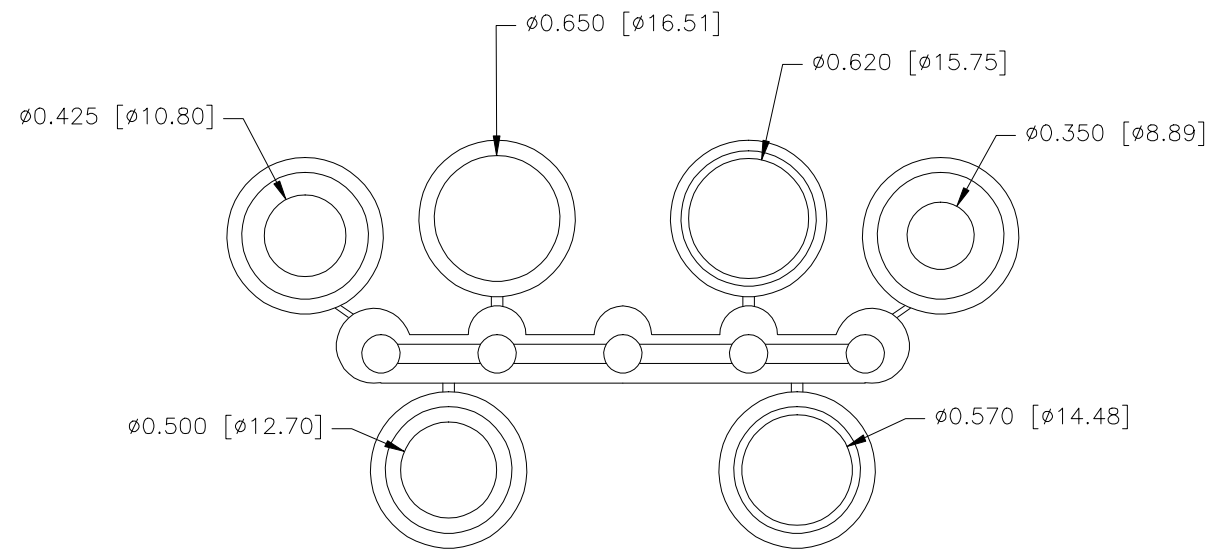
REVISIONS				
ZONE	REV	DESCRIPTION	DATE	APPROVED
	A	ECN 0731	02-SEP-13	



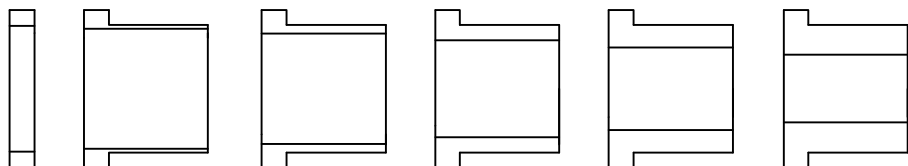
- KIT INCLUDES:
- 1 - COVER TOP (FOR FINISH SEE SHEET 2)
 - 1 - COVER BOTTOM (FOR FINISH SEE SHEET 2)
 - 2 - #4-40 X 1.155 THUMBSCREW
 - 3 - #4-40 PHILLIPS HEAD MACHINE SCREW
 - 1 - COMPRESSION INSERT OR JACKET INSERT (SEE SHEET 2 FOR CORRESPONDING PART NUMBER)

THIS IS A CONTROLLED DOCUMENT AND IS SUBJECT TO CHANGE. CONTACT NORTHERN TECHNOLOGIES ENGINEERING FOR THE LATEST REVISION.

UNLESS OTHERWISE SPECIFIED		Northern Technologies <small>THIS DRAWING IS THE PROPERTY OF NORTHERN TECHNOLOGIES AND SHOULD NOT BE REPRODUCED WITHOUT NORTHERN TECHNOLOGIES' WRITTEN PERMISSION.</small>		
1. ALL DIMENSIONS ARE IN INCHES [MM] 2. DIMENSIONS ARE TYPICAL				
DRAWN Luis C. 20-APR-10		PART NUMBER SEE PART NUMBER INFORMATION		
CHECKED JSD 20-APR-10		DESCRIPTION CM 50 45D EXIT w/THUMBSCREWS		
ISSUED	09-SEP-10	SIZE B	CODE 200_272	DWG NO. 0002-200-272
		SCALE NTS	SHEET 1 OF 2	



COMPRESSION INSERT TREE
QTY. 1



COMPRESSION INSERT TREE

- 1.MATERIAL: PVC UL94V-0
- 2.COLOR: BLACK
- 3.DUROMETER: 80 ±3 TYPE A PER ASTM D2240
- 4.DIMENSIONS: INCHES [MM]
- 5.TOLERANCE: ±0.020 [0.508]

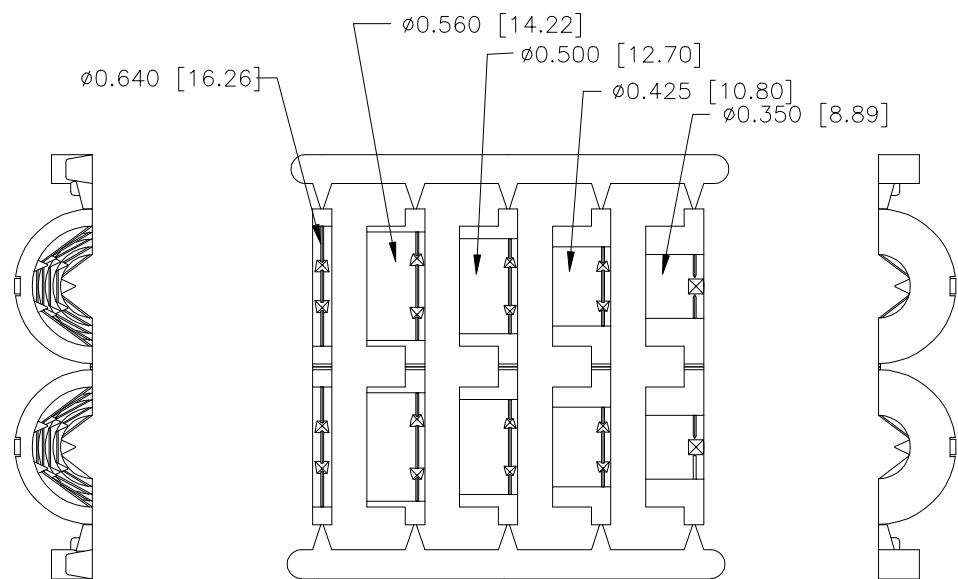
REVISIONS				
ZONE	REV	DESCRIPTION	DATE	APPROVED

NO LOGO



PART NUMBER INFORMATION

PART#	FINISH	STRAIN RELIEF SYSTEM	DESCRIPTION	SUPPLIED
NA95E240000S	NICKEL	JACKET INSERT TREE	NOLOGO TOP	BULK
NA95E240100	NICKEL	JACKET INSERT TREE	BOTTOM	BULK
N95E240000S	NICKEL	JACKET INSERT TREE	NOLOGO	PACKAGED
NA95E240000	NICKEL	COMPRESSION INSERT TREE	NOLOGO TOP	BULK
NA95E240100	NICKEL	COMPRESSION INSERT TREE	BOTTOM	BULK
N95E240000	NICKEL	COMPRESSION INSERT TREE	NOLOGO	PACKAGED
A95E240100	ZINC	JACKET INSERT TREE	BOTTOM	OBSOLETE
C95E240000S	ZINC	JACKET INSERT TREE	NO LOGO	OBSOLETE
A95E240000S	ZINC	JACKET INSERT TREE	NO LOGO TOP	OBSOLETE
A95E240000	ZINC	COMPRESSION INSERT TREE	NO LOGO TOP	OBSOLETE
A95E240100	ZINC	COMPRESSION INSERT TREE	BOTTOM	OBSOLETE
C95E240000	ZINC	COMPRESSION INSERT TREE	NO LOGO	OBSOLETE



JACKET INSERT TREE
QTY: 1

JACKET INSERT TREE

- 1.MATERIAL: POLYPROPYLENE UL94HB
- 2.COLOR: BLACK
- 3.DIMENSIONS: INCHES [MM]
- 4.TOLERANCE: ±0.010 [0.254]

THIS IS A CONTROLLED DOCUMENT AND IS SUBJECT TO CHANGE. CONTACT NORTHERN TECHNOLOGIES ENGINEERING FOR THE LATEST REVISION.

UNLESS OTHERWISE SPECIFIED 1. ALL DIMENSIONS ARE IN INCHES [MM] 2. DIMENSIONS ARE TYPICAL		Northern Technologies <small>THIS DRAWING IS THE PROPERTY OF NORTHERN TECHNOLOGIES AND SHOULD NOT BE REPRODUCED WITHOUT NORTHERN TECHNOLOGIES WRITTEN PERMISSION.</small>		
DRAWN Luis C. 20-APR-10		PART NUMBER SEE PART NUMBER INFORMATION DESCRIPTION CM 50 45D EXIT w/THUMBSCREWS		
CHECKED JSD 20-APR-10	ISSUED 09-SEP-10	SIZE B	CODE 200_272	DWG NO. 0002-200-272
SCALE NTS		SHEET 2 OF 2		REV