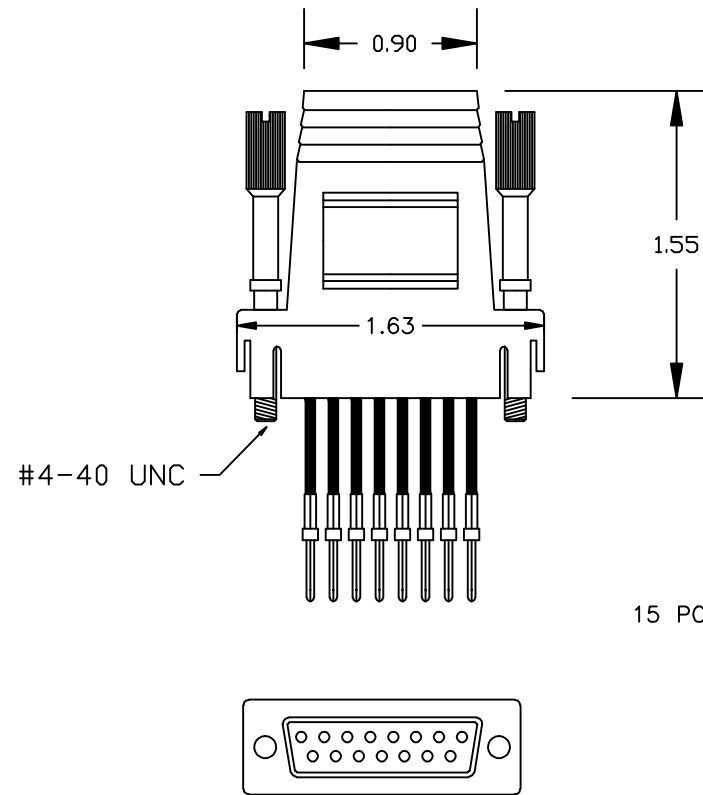


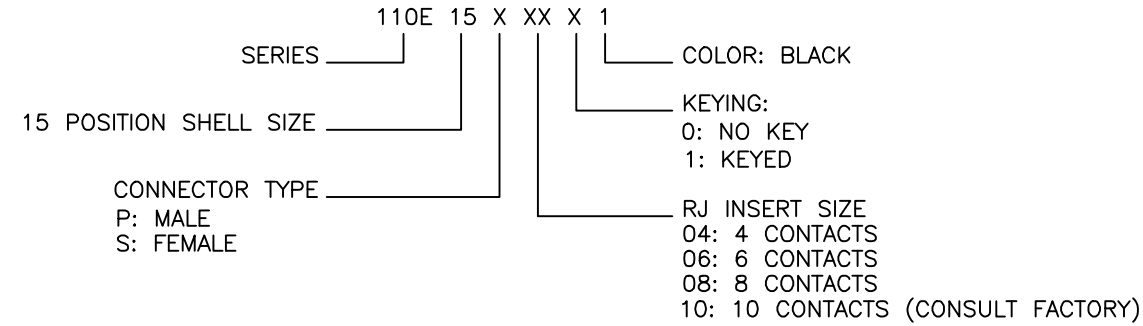
REVISIONS				
ZONE	REV	DESCRIPTION	DATE	APPROVED
	A	ECN 0597	13-JUN-06	
	B	ECN 0760	01-DEC-14	
	C	ECN 0788	10-JUN-16	

15C 8 WIRE MALE
ADAPTER SHOWN HERE

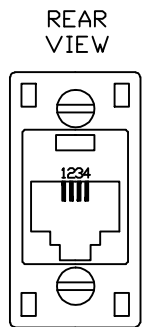


KIT INCLUDES:

- 1 - ONE PIECE PLASTIC COVER WITH RJ MODULAR ASSEMBLY (MALE OR FEMALE AND NUMBER OF CONTACTS DETERMINED BY PART NUMBER)
- 2 - #4-40 UNC THUMBSCREWS INSTALLED IN COVER.
- 1 - MALE OR FEMALE CRIMP STYLE D-SUBMINIATURE CONNECTOR (MALE OR FEMALE CONNECTOR DETERMINED BY PART NUMBER)
- 1 - RJ STYLE INSERT INSTALLED IN COVER. NUMBER OF WIRES DETERMINED BY PART NUMBER.

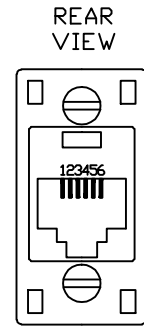


4 CONTACTS



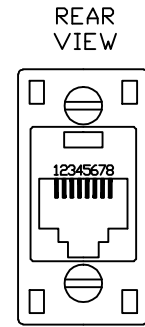
- PIN I.D.**
- 1 - YELLOW
 - 2 - GREEN
 - 3 - BLUE
 - 4 - RED

6 CONTACTS



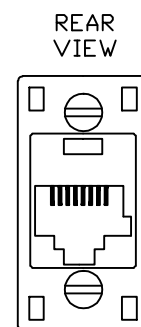
- PIN I.D.**
- 1 - BLUE
 - 2 - YELLOW
 - 3 - GREEN
 - 4 - RED
 - 5 - BLACK
 - 6 - WHITE

8 CONTACTS



- PIN I.D.**
- 1 - BLUE
 - 2 - ORANGE
 - 3 - BLACK
 - 4 - RED
 - 5 - GREEN
 - 6 - YELLOW
 - 7 - BROWN
 - 8 - WHITE

KEYED VERSION



THIS IS A CONTROLLED DOCUMENT AND IS SUBJECT TO CHANGE. CONTACT NORTHERN TECHNOLOGIES ENGINEERING FOR THE LATEST REVISION.

NOTES:

- 1. COVER: ABS THERMOPLASTIC - BLACK
- 2. RJ INSERT: ABS THERMOPLASTIC
- 3. D-SUB INSULATOR: PBT THERMOPLASTIC
- 4. D-SUB CONTACTS: COPPER ALLOY - SELECTIVE GOLD FLASH
- 5. RJ CONTACTS: COPPER ALLOY - GOLD FLASH
- 6. THUMBSCREWS: LOW CARBON STEEL W/ Ni PLATE

UNLESS OTHERWISE SPECIFIED		Northern Technologies <small>THIS DRAWING IS THE PROPERTY OF NORTHERN TECHNOLOGIES AND SHOULD NOT BE REPRODUCED WITHOUT NORTHERN TECHNOLOGIES WRITTEN PERMISSION.</small>		
1. ALL DIMENSIONS ARE IN INCHES (MM) 2. DIMENSIONS ARE TYPICAL				
DRAWN JSD 01-JUN-06		PART NUMBER SEE ORDER INFORMATION		
CHECKED SCN 01-JUN-06		DESCRIPTION 110E SERIES 15C MODULAR ADAPTOR BLACK		
ISSUED	10-JUN-06	SIZE B	CODE 200_230	DWG NO. 0002-200-230
		SCALE		REV
				SHEET 1 OF 1