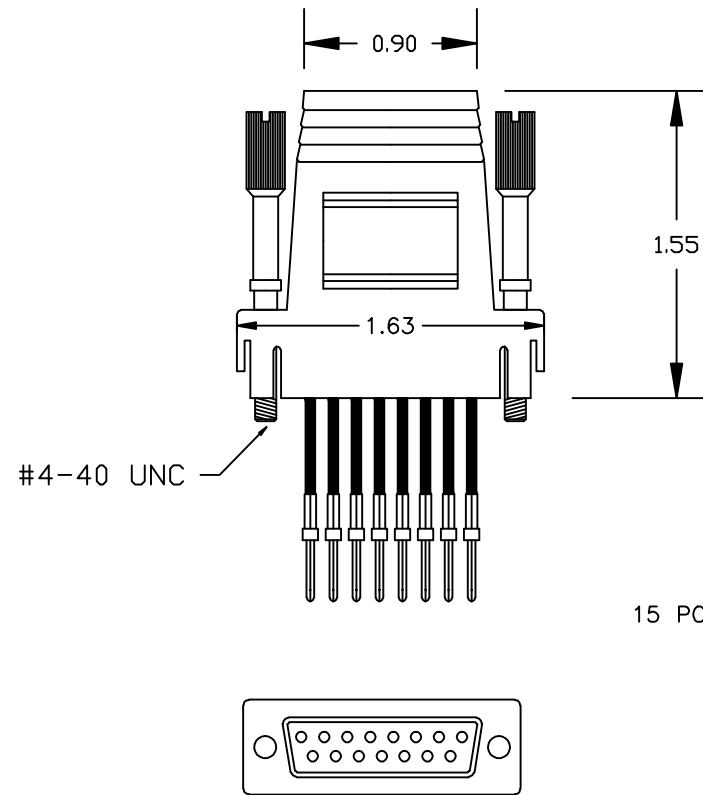


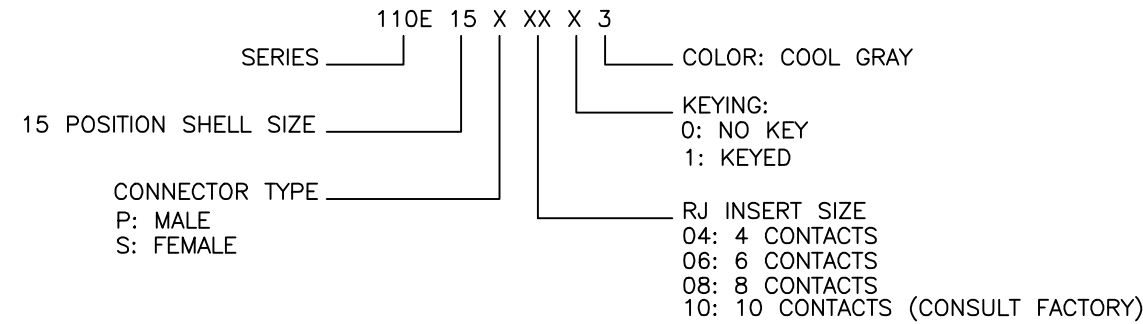
REVISIONS				
ZONE	REV	DESCRIPTION	DATE	APPROVED
	A	ECN 0620	01-SEP-06	
	B	ECN 0760	01-DEC-14	
	C	ECN 0788	10-JUN-16	

15C 8 WIRE MALE  
ADAPTER SHOWN HERE



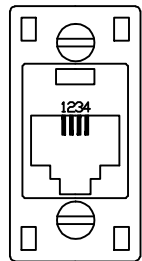
**KIT INCLUDES:**

- 1 - ONE PIECE PLASTIC COVER WITH RJ MODULAR ASSEMBLY (MALE OR FEMALE. NUMBER. CONTACTS DETERMINED BY PART NUMBER)
- 2 - #4-40 UNC THUMBSCREWS INSTALLED IN COVER.
- 1 - MALE OR FEMALE CRIMP STYLE D-SUBMINIATURE CONNECTOR (MALE OR FEMALE CONNECTOR DETERMINED BY PART NUMBER)
- 1 - RJ STYLE INSERT INSTALLED IN COVER. NUMBER OF WIRES DETERMINED BY PART NUMBER.)



**4 CONTACTS**

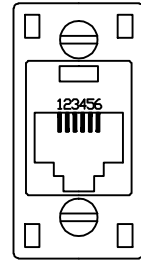
REAR VIEW



- PIN I.D.
- 1 - BLACK
  - 2 - RED
  - 3 - GREEN
  - 4 - YELLOW

**6 CONTACTS**

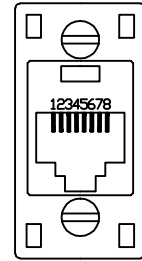
REAR VIEW



- PIN I.D.
- 1 - WHITE
  - 2 - BLACK
  - 3 - RED
  - 4 - GREEN
  - 5 - YELLOW
  - 6 - BLUE

**8 CONTACTS**

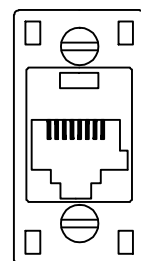
REAR VIEW



- PIN I.D.
- 1 - BLUE
  - 2 - ORANGE
  - 3 - BLACK
  - 4 - RED
  - 5 - GREEN
  - 6 - YELLOW
  - 7 - BROWN
  - 8 - WHITE

**KEYED VERSION**

REAR VIEW



THIS IS A CONTROLLED DOCUMENT AND IS SUBJECT TO CHANGE. CONTACT NORTHERN TECHNOLOGIES ENGINEERING FOR THE LATEST REVISION.

**NOTES:**

1. COVER: ABS THERMOPLASTIC
2. RJ INSERT: ABS THERMOPLASTIC
3. D-SUB INSULATOR: PBT THERMOPLASTIC
4. D-SUB CONTACTS: COPPER ALLOY 6µi HARD GOLD PLATING
5. RJ CONTACTS: COPPER ALLOY 6µi HARD GOLD PLATING
6. THUMBSCREWS: LOW CARBON STEEL W/ Ni PLATE

UNLESS OTHERWISE SPECIFIED		<b>Northern Technologies</b> <small>THIS DRAWING IS THE PROPERTY OF NORTHERN TECHNOLOGIES AND SHOULD NOT BE REPRODUCED WITHOUT NORTHERN TECHNOLOGIES WRITTEN PERMISSION.</small>		
<small>1. ALL DIMENSIONS ARE IN INCHES (MM) 2. DIMENSIONS ARE TYPICAL</small>				
DRAWN JSD 16-MAY-06		PART NUMBER SEE ORDER INFORMATION		
CHECKED SCN 16-MAY-06		DESCRIPTION 110E SERIES 15C MODULAR ADAPTOR		
ISSUED		SIZE B	CODE 200_222	DWG NO. 0002-200-222
		SCALE		REV
		SHEET 1 OF 1		