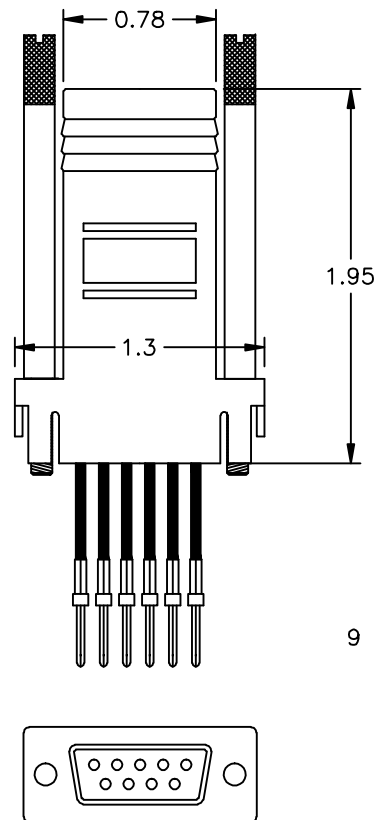


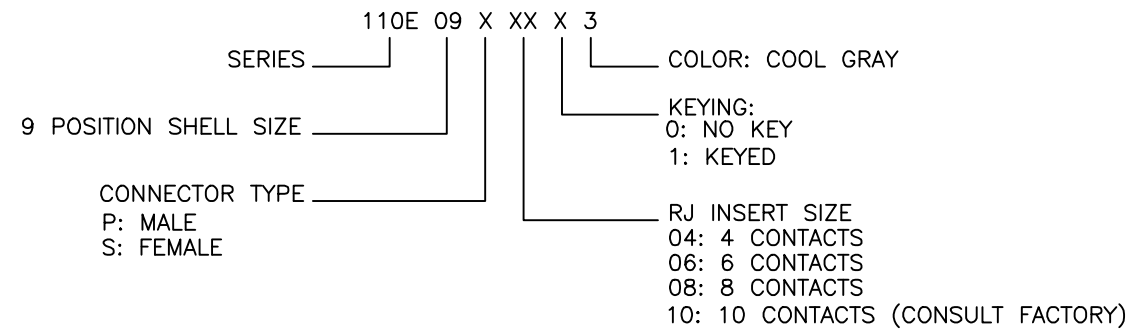
| REVISIONS | | | | |
|-----------|-----|-------------|-----------|----------|
| ZONE | REV | DESCRIPTION | DATE | APPROVED |
| | A | ECN 0620 | 01-SEP-06 | |
| | B | ECN 0760 | 01-DEC-14 | |
| | C | ECN 0788 | 10-JUN-16 | |

9C 6 WIRE MALE
ADAPTER SHOWN HERE

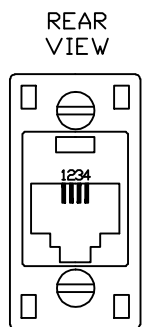


KIT INCLUDES:

- 1 - ONE PIECE PLASTIC COVER WITH RJ MODULAR ASSEMBLY (MALE OR FEMALE. NUMBER. CONTACTS DETERMINED BY PART NUMBER)
- 2 - #4-40 UNC THUMBSCREWS INSTALLED IN COVER.
- 1 - MALE OR FEMALE CRIMP STYLE D-SUBMINIATURE CONNECTOR (MALE OR FEMALE CONNECTOR DETERMINED BY PART NUMBER)
- 1 - RJ STYLE INSERT INSTALLED IN COVER. NUMBER OF WIRES DETERMINED BY PART NUMBER.)

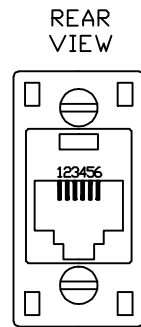


4 CONTACTS



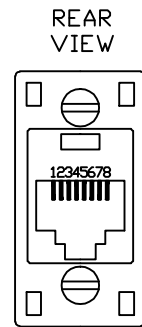
- PIN I.D.**
- 1 - BLACK
 - 2 - RED
 - 3 - GREEN
 - 4 - YELLOW

6 CONTACTS



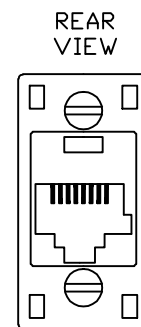
- PIN I.D.**
- 1 - WHITE
 - 2 - BLACK
 - 3 - RED
 - 4 - GREEN
 - 5 - YELLOW
 - 6 - BLUE

8 CONTACTS



- PIN I.D.**
- 1 - BLUE
 - 2 - ORANGE
 - 3 - BLACK
 - 4 - RED
 - 5 - GREEN
 - 6 - YELLOW
 - 7 - BROWN
 - 8 - WHITE

KEYED VERSION



THIS IS A CONTROLLED DOCUMENT AND IS SUBJECT TO CHANGE. CONTACT NORTHERN TECHNOLOGIES ENGINEERING FOR THE LATEST REVISION.

NOTES:

1. COVER: ABS THERMOPLASTIC
2. RJ INSERT: ABS THERMOPLASTIC
3. D-SUB INSULATOR: PBT THERMOPLASTIC
4. D-SUB CONTACTS: COPPER ALLOY 6µi HARD GOLD PLATING
5. RJ CONTACTS: COPPER ALLOY 6µi HARD GOLD PLATING
6. THUMBSCREWS: LOW CARBON STEEL W/ Ni PLATE

| | | | | |
|---|--|---|--------------|----------------------|
| UNLESS OTHERWISE SPECIFIED | | Northern Technologies <small>THIS DRAWING IS THE PROPERTY OF NORTHERN TECHNOLOGIES AND SHOULD NOT BE REPRODUCED WITHOUT NORTHERN TECHNOLOGIES WRITTEN PERMISSION.</small> | | |
| <small>1. ALL DIMENSIONS ARE IN INCHES (MM) 2. DIMENSIONS ARE TYPICAL</small> | | | | |
| DRAWN JSD 16-MAY-06 | | PART NUMBER SEE ORDER INFORMATION | | |
| CHECKED SCN 16-MAY-06 | | DESCRIPTION 110E SERIES 9C MODULAR ADAPTOR | | |
| ISSUED | | SIZE B | CODE 200_221 | DWG NO. 0002-200-221 |
| | | SCALE | | REV |
| | | SHEET 1 OF 1 | | |