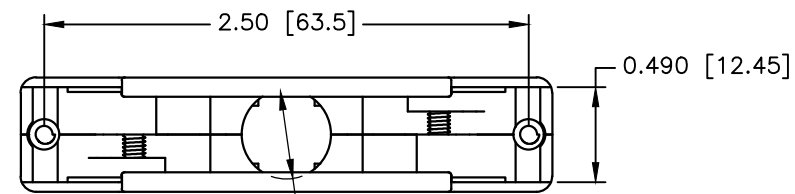
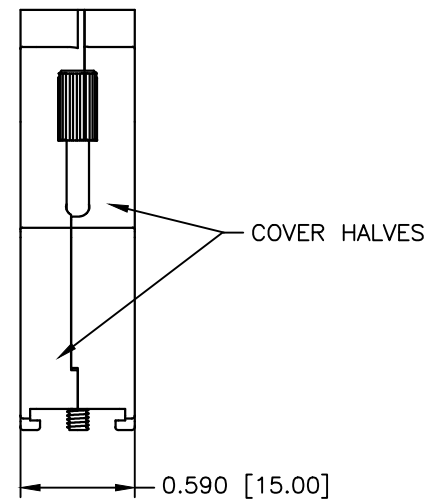
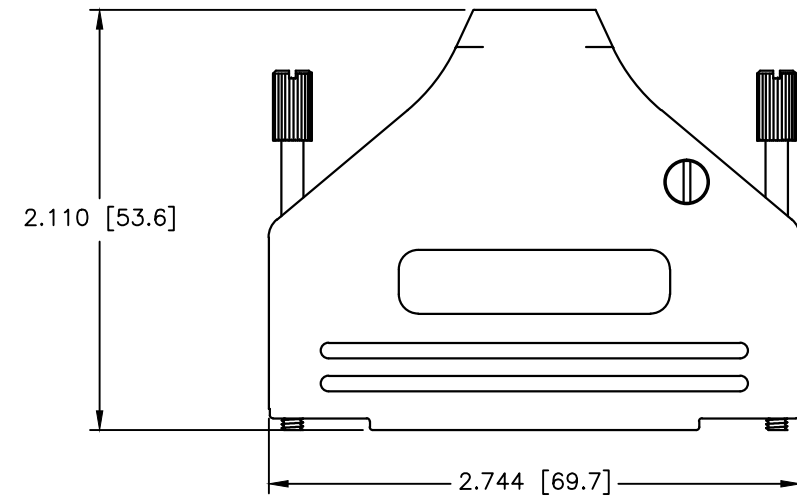
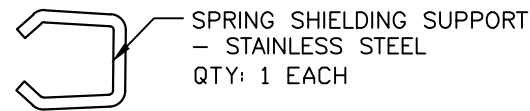


| REVISIONS |     |             |           |          |
|-----------|-----|-------------|-----------|----------|
| ZONE      | REV | DESCRIPTION | DATE      | APPROVED |
|           | A   | ECN 0679    | 30-OCT-09 |          |
|           | B   | ECN 0684    | 15-APR-10 |          |
|           | C   | ECN 0784    | 06-JUN-16 |          |
|           | D   | ECN 0797    | 17-FEB-17 |          |
|           | E   | ECN 0833    | 14-APR-22 |          |



Max. Cable Dia. 0.453 [11.5]

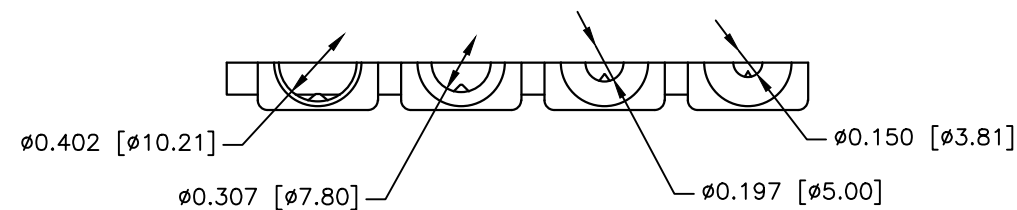
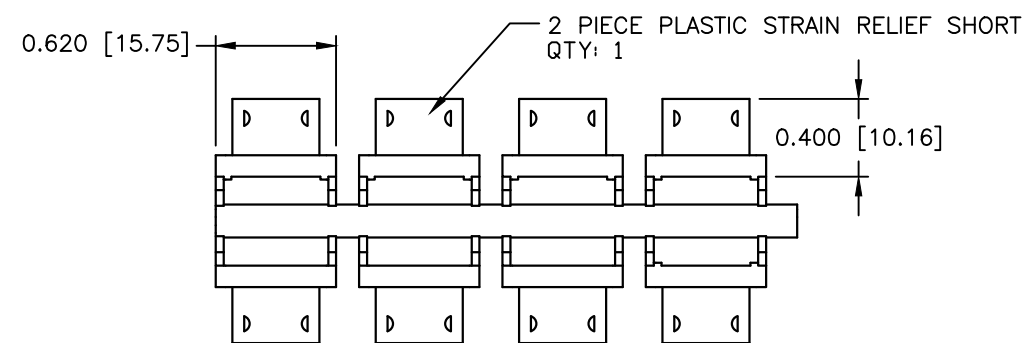


M3 X 0.50mm PITCH THUMBSCREW - CR STEEL, CLEAR ZINC PLATE QTY: 2 EACH



THREAD -SEE PART NUMBER INFORMATION THUMBSCREW - STEEL CLEAR ZINC PLATE QTY: 2 EACH

THIS IS A CONTROLLED DOCUMENT AND IS SUBJECT TO CHANGE. CONTACT NORTHERN TECHNOLOGIES ENGINEERING FOR THE LATEST REVISION.



PART NUMBER INFORMATION

| PART#         | LOGO STYLE | THREAD   | SUPPLIED |
|---------------|------------|----------|----------|
| MHDETZK37K    | NO LOGO    | 4-40 UNC | PACKAGED |
| MHDETZK37KM25 | NO LOGO    | M2.5     | PACKAGED |
| MHDETZK37KM26 | NO LOGO    | M2.6     | PACKAGED |
| MHDETZK37KM3  | NO LOGO    | M3       | PACKAGED |

CONNECTOR COVER:

- 1.MATERIAL: ZINC DIE-CAST
- 2.FINISH: NICKEL PLATING
- 3.DIMENSIONS: INCHES [MM]
- 4.TOLERANCE: ±0.015 [0.381]

COMPRESSION INSERT TREE

- 1.MATERIAL: ABS
- 2.COLOR: BLACK
- 3.DUROMETER: 70 - TYPE D
- 4.DIMENSIONS: INCHES [MM]
- 5.TOLERANCE: ±0.015 [0.381]

UNLESS OTHERWISE SPECIFIED

1. ALL DIMENSIONS ARE IN INCHES (MM)
2. DIMENSIONS ARE TYPICAL

**Northern Technologies**

THIS DRAWING IS THE PROPERTY OF NORTHERN TECHNOLOGIES AND SHOULD NOT BE REPRODUCED WITHOUT NORTHERN TECHNOLOGIES WRITTEN PERMISSION.

PART NUMBER SEE PART NUMBER INFORMATION  
DESCRIPTION CMA 37 STRAIGHT EXIT METAL COVER NICKEL

|                |           |              |                 |                         |     |
|----------------|-----------|--------------|-----------------|-------------------------|-----|
| DRAWN<br>JSD   | 14-JUL-06 | SIZE<br>B    | CODE<br>200_202 | DWG NO.<br>0002-200-202 | REV |
| CHECKED<br>SCN | 14-JUL-06 | SCALE N.T.S. |                 | SHEET 1 OF 1            |     |
| ISSUED         | 14-JUL-06 |              |                 |                         |     |