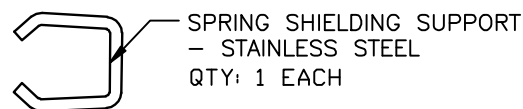
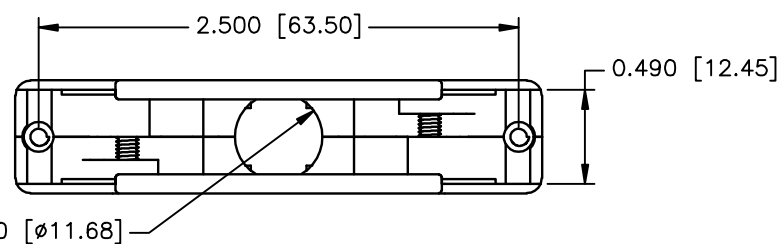
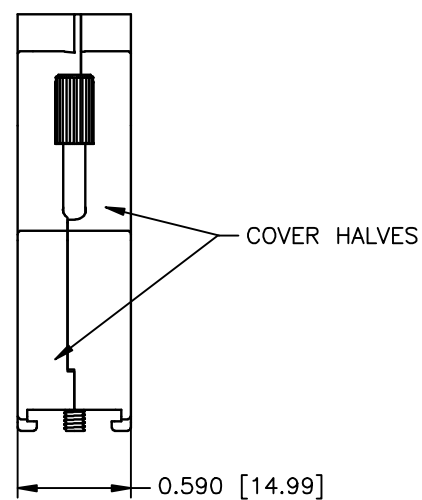
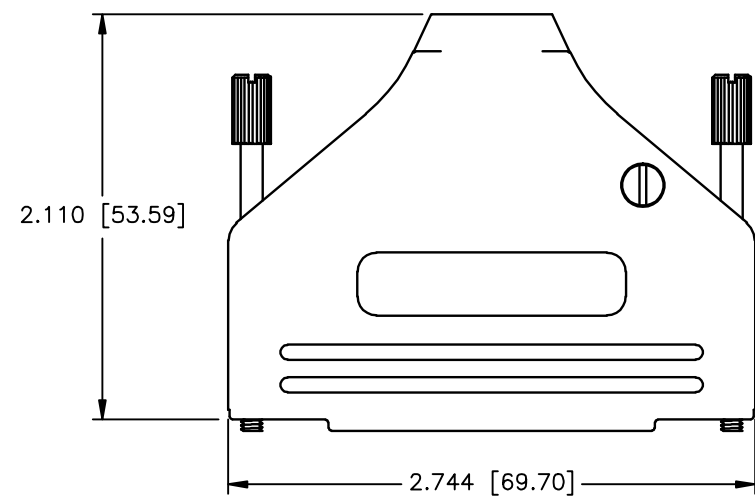


REVISIONS				
ZONE	REV	DESCRIPTION	DATE	APPROVED
	A	ECN 0657	28-JUL-08	
	B	ECN 0784	06-JUN-16	
	C	ECN 0797	17-FEB-17	



PART NUMBER INFORMATION

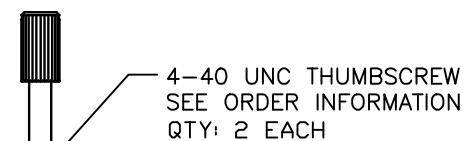
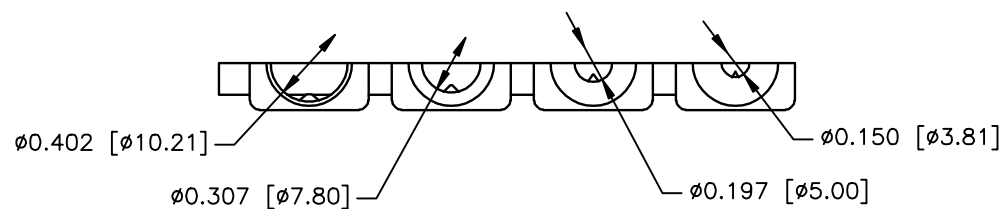
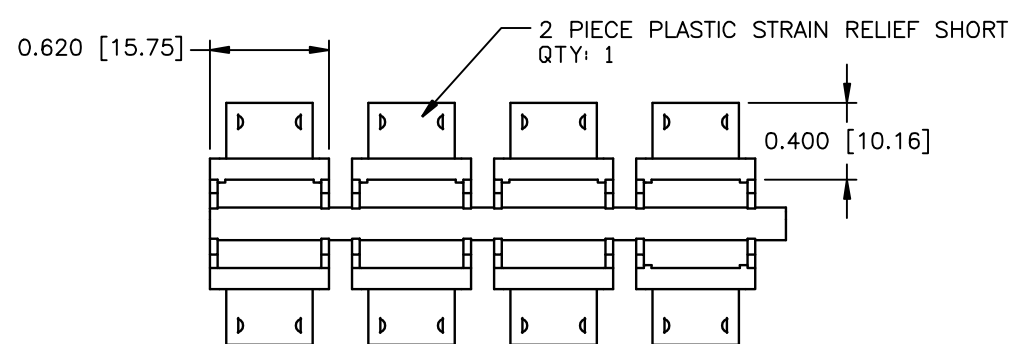
PART#	THUMBSCREW OPTION	SUPPLIED
MHDETZK37BKK	MATERIAL - STEEL FINISH - BLACK	PACKAGED
MHDETZK37BPCK	MATERIAL - STEEL FINISH - CLEAR ZINC CAP - PLASTIC - BLACK	PACKAGED

CONNECTOR COVER:

- 1.MATERIAL: ZINC DIE-CAST
- 2.FINISH: BLACK POLYESTER RESIN
- 3.DIMENSIONS: INCHES [MM]
- 4.TOLERANCE: ±0.015 [0.381]

COMPRESSION INSERT TREE

- 1.MATERIAL: ABS
- 2.COLOR: BLACK
- 3.DUROMETER: 70 - TYPE D
- 4.DIMENSIONS: INCHES [MM]
- 5.TOLERANCE: ±0.015 [0.381]



THIS IS A CONTROLLED DOCUMENT AND IS SUBJECT TO CHANGE. CONTACT NORTHERN TECHNOLOGIES ENGINEERING FOR THE LATEST REVISION.

UNLESS OTHERWISE SPECIFIED 1. ALL DIMENSIONS ARE IN INCHES (MM) 2. DIMENSIONS ARE TYPICAL		<b>Northern Technologies</b> <small>THIS DRAWING IS THE PROPERTY OF NORTHERN TECHNOLOGIES AND SHOULD NOT BE REPRODUCED WITHOUT NORTHERN TECHNOLOGIES WRITTEN PERMISSION.</small>		
DRAWN JSD 25-JUL-06		PART NUMBER SEE PART NUMBER INFORMATION		
CHECKED SCN 25-JUL-06		DESCRIPTION CMA 37 STRAIGHT EXIT METAL COVER BLACK		
ISSUED	25-JUL-06	SCALE N.T.S.	DWG NO. 0002-200-185	REV
			SHEET 1 OF 1	