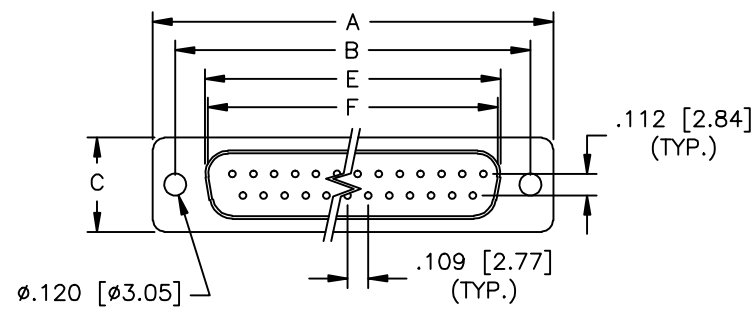
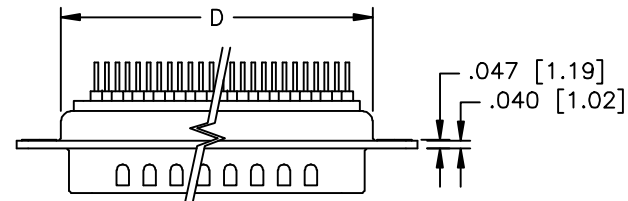
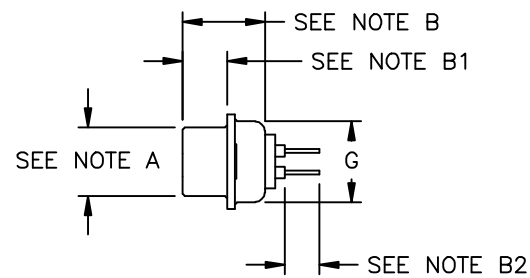


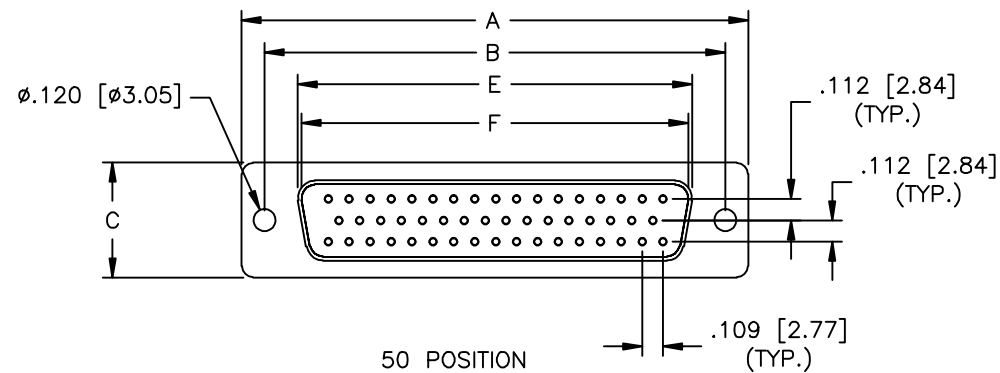
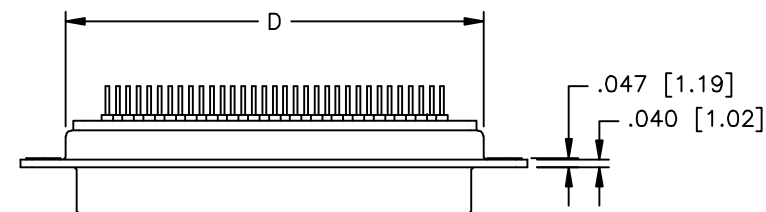
REVISIONS				
ZONE	REV	DESCRIPTION	DATE	APPROVED
		SEE PAGE 2 OF 2 FOR ECN's		



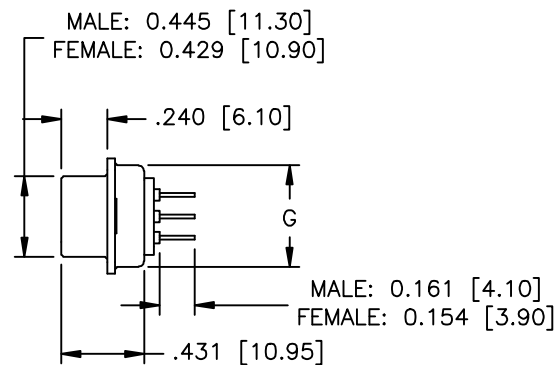
9 THROUGH 37 POSITION



- NOTE A: 9, 15, 25 & 37 MALE: 0.327 [8.30]  
 9, 15, 25 & 37 FEMALE: 0.311 [7.90]
- NOTE B: 9, 15, 25 & 37 MALE: 0.431 [10.95]  
 9, 15, 25 & 37 FEMALE: 0.423 [10.75]
- NOTE B1: 9, 15, 25 & 37 MALE: 0.236 [5.99]  
 9, 15, 25 & 37 FEMALE: 0.236 [5.99]
- NOTE B2: 9, 15, 25 & 37 MALE: 0.161 [4.10]  
 9, 15, 25 & 37 FEMALE: 0.154 [3.90]



50 POSITION



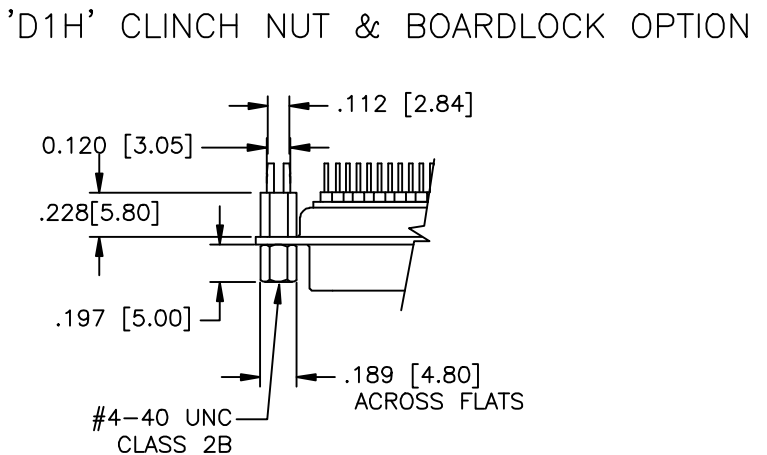
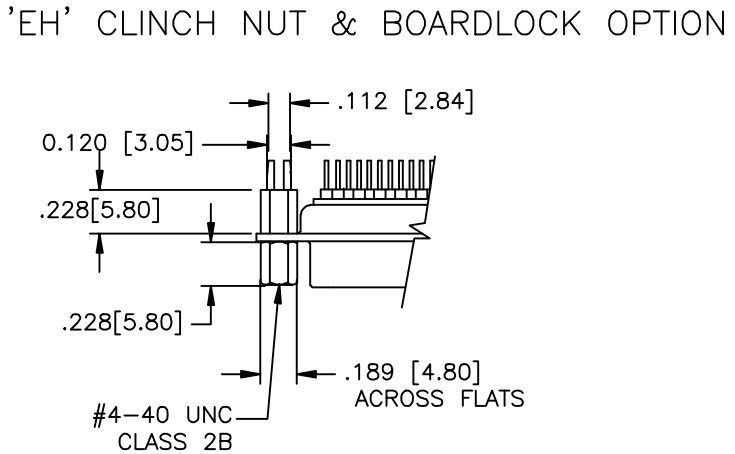
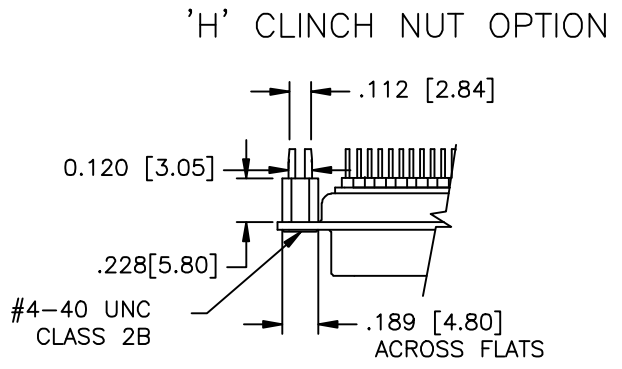
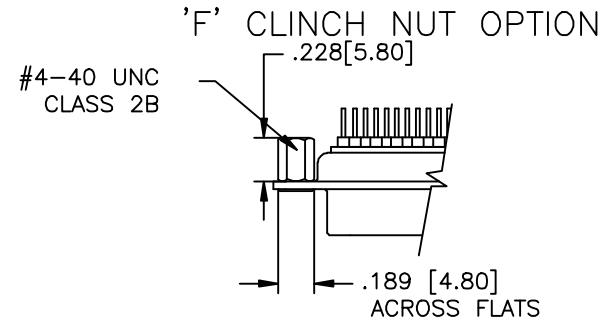
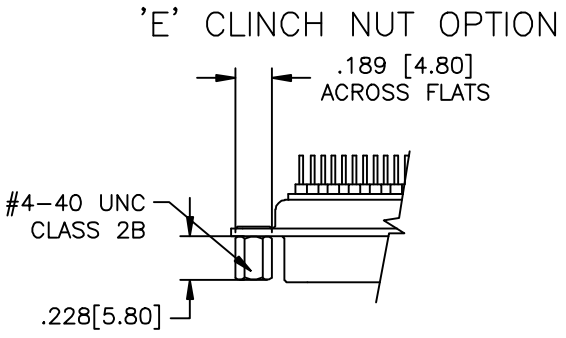
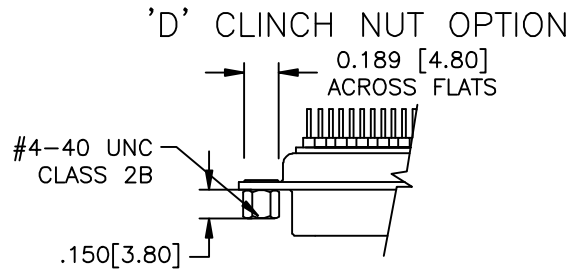
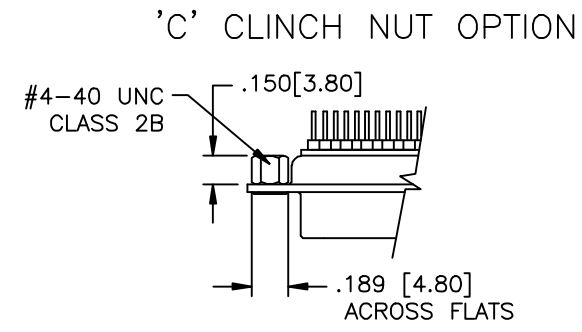
DS SERIES CONNECTORS		DIMENSIONS INCHES [MM]						
No. of Contacts	Shell Size	A $\pm 0.010$ [ $\pm 0.254$ ]	B $\pm 0.010$ [ $\pm 0.254$ ]	C $\pm 0.010$ [ $\pm 0.254$ ]	D $\pm 0.010$ [ $\pm 0.254$ ]	E Max. Female $\pm 0.010$ [ $\pm 0.254$ ]	F Min. Male $\pm 0.010$ [ $\pm 0.254$ ]	G $\pm 0.010$ [ $\pm 0.254$ ]
09	E	1.213 [30.81]	0.984 [24.99]	0.494 [12.55]	0.759 [19.28]	0.643 [16.33]	0.666 [16.92]	0.422 [10.72]
15	A	1.541 [39.14]	1.310 [33.27]	0.494 [12.55]	1.089 [27.65]	0.971 [24.66]	0.994 [25.25]	0.422 [10.72]
25	B	2.088 [53.04]	1.850 [46.99]	0.494 [12.55]	1.626 [41.30]	1.511 [38.38]	1.534 [38.96]	0.422 [10.72]
37	C	2.730 [69.34]	2.500 [63.50]	0.494 [12.55]	2.261 [57.44]	2.159 [54.84]	2.182 [55.42]	0.422 [10.72]
50	D	2.638 [67.00]	2.406 [61.11]	0.602 [15.30]	2.178 [55.32]	2.064 [52.43]	2.079 [52.81]	0.527 [13.40]

NOTES:

- SHELL MATERIAL: STEEL
- SHELL FINISH: SEE ORDER INFORMATION
- INSULATOR MATERIAL: PBT UL94V-0
- INSULATOR COLOR: BLACK
- CONTACT MATERIAL: COPPER ALLOY
- CONTACT FINISH: SEE ORDER INFORMATION
- TEMPERATURE RANGE: -55° TO +105° CENTIGRADE
- VOLTAGE RATING: 250 VAC
- CURRENT RATING: 3 AMPS MAX.
- INSULATION RESISTANCE: >3000 MEGOHMS @ 500 VDC
- CONTACT RESISTANCE: <15 MILLIOHMS
- DIELECTRIC WITHSTANDING VOLTAGE: 1000 VAC MINIMUM (1 MINUTE)

THIS IS A CONTROLLED DOCUMENT AND IS SUBJECT TO CHANGE. CONTACT NORTHERN TECHNOLOGIES ENGINEERING FOR THE LATEST REVISION.

UNLESS OTHERWISE SPECIFIED		<b>Northern Technologies</b> <small>THIS DRAWING IS THE PROPERTY OF NORTHERN TECHNOLOGIES AND SHOULD NOT BE REPRODUCED WITHOUT NORTHERN TECHNOLOGIES WRITTEN PERMISSION.</small>		
1. ALL DIMENSIONS ARE IN INCHES (MM) 2. DIMENSIONS ARE TYPICAL				
DRAWN JSD 24-JAN-06		PART NUMBER SEE ORDER INFORMATION		
CHECKED SCN 24-JAN-06		DESCRIPTION DSE SERIES CONNECTORS		
ISSUED 24-JAN-06		SIZE B	CODE 200_157	DWG NO. 0002-200-157
		SCALE N.T.S.		REV
				SHEET 1 OF 2



REVISIONS				
ZONE	REV	DESCRIPTION	DATE	APPROVED
	A	ECN 0619	25-AUG-06	
	B	ECN 0639	05-DEC-07	
	C	ECN 0655	23-MAY-08	
	D	ECN 0705	23-JUL-12	
	E	ECN 0723	11-JUN-13	
	F	ECN 0736	27-FEB-14	

**FACTORY DESIGNATOR**  
 LEAVE BLANK ( ) DS E 25 P T E S C X

**ORDER INFORMATION**

SERIES \_\_\_\_\_  
 RoHS \_\_\_\_\_  
 NO. OF CONTACTS \_\_\_\_\_  
 P: MALE \_\_\_\_\_  
 S: FEMALE \_\_\_\_\_

CONTACT FINISH:  
 EMPTY: GOLD FLASH OVER ENTIRE CONTACT  
 S: SELECTIVE GOLD FLASH PLATING

EMPTY: NO OPTIONS  
 C: REAR MOUNT CLINCH NUT .150 [3.80]  
 D: FRONT MOUNT CLINCH NUT 0.150 [3.80]  
 D1H: FRONT MOUNT CLINCH NUT 0.197 [5.00] AND REAR MOUNT BOARDLOCK 0.228 [5.80]  
 E: FRONT MOUNT CLINCH NUT 0.228 [5.80]  
 F: REAR MOUNT CLINCH NUT 0.228 [5.80]  
 H: REAR MOUNT BOARD LOCK 0.228 [5.80]  
 EH: FRONT MOUNT CLINCH NUT 0.228 [5.80] AND REAR MOUNT BOARDLOCK 0.228 [5.80]

S: STAMPED AND FORMED CONTACTS  
 M: MACHINED CONTACTS

TE: TIN PLATED WITH GROUNDING INDENTS (MALE ONLY)  
 T: TIN PLATED NO GROUNDING INDENTS (FEMALE ONLY)  
 NE: NICKEL PLATED WITH GROUNDING INDENTS (MALE ONLY)  
 N: NICKEL PLATED NO GROUNDING INDENTS (FEMALE ONLY)

THIS IS A CONTROLLED DOCUMENT AND IS SUBJECT TO CHANGE. CONTACT NORTHERN TECHNOLOGIES ENGINEERING FOR THE LATEST REVISION.

UNLESS OTHERWISE SPECIFIED 1. ALL DIMENSIONS ARE IN INCHES (MM) 2. DIMENSIONS ARE TYPICAL		<b>Northern Technologies</b> THIS DRAWING IS THE PROPERTY OF NORTHERN TECHNOLOGIES AND SHOULD NOT BE REPRODUCED WITHOUT NORTHERN TECHNOLOGIES WRITTEN PERMISSION.		
DRAWN JSD 24-JAN-06		PART NUMBER SEE ORDER INFORMATION		
CHECKED SCN 24-JAN-06		DESCRIPTION DSE SERIES CONNECTORS		
ISSUED	24-JAN-06	SIZE B	CODE 200_157	DWG NO. 0002-200-157
		SCALE N.T.S.	SHEET 2 OF 2	