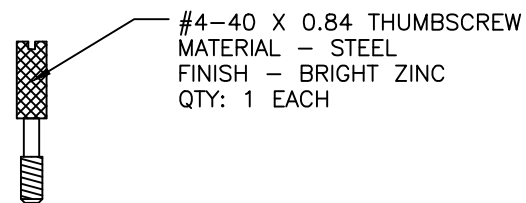
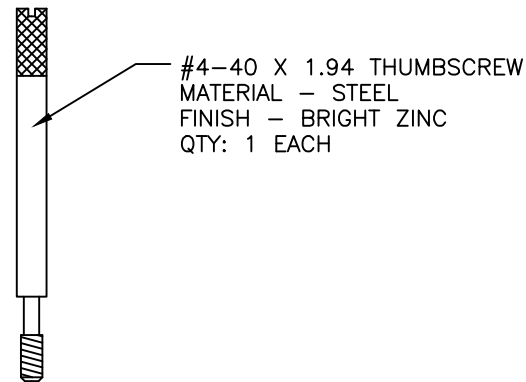
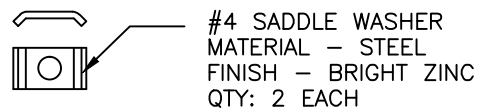
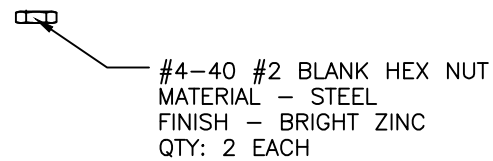
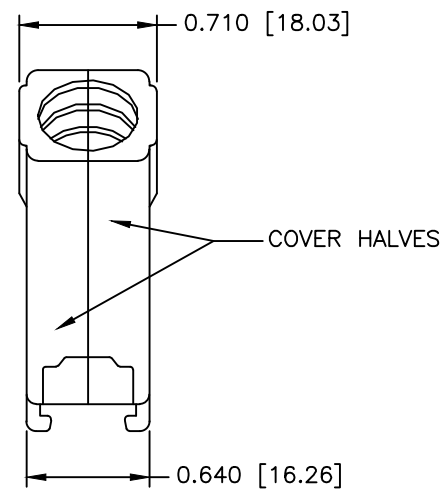
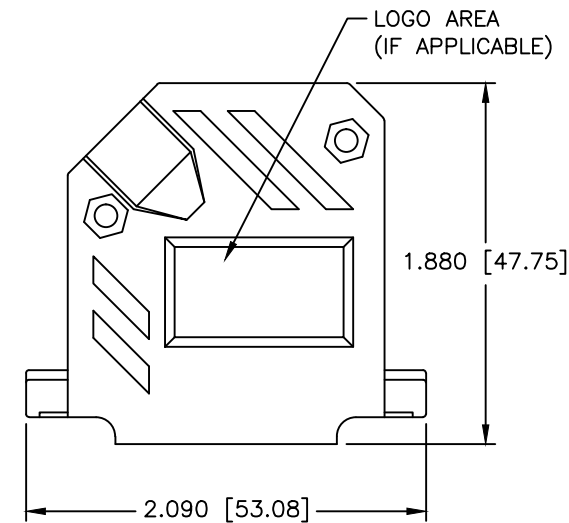
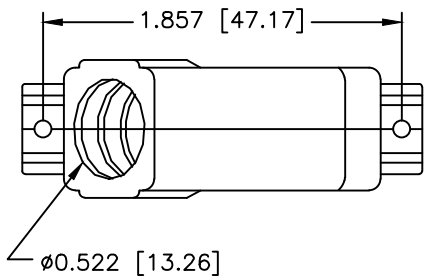


REVISIONS				
ZONE	REV	DESCRIPTION	DATE	APPROVED
	A	ECN 0844	19-FEB-24	



PART NUMBER INFORMATION
COLOR: BLACK

PART#	LOGO STYLE	SUPPLIED
C88E220004T3	NO LOGO	PACKAGED
C88E221004T3	NORTECH LOGO	PACKAGED

COLOR: GRAY - DISCONTINUED

PART#	LOGO STYLE	SUPPLIED
C88E220005T3	NO LOGO	DISCONTINUED
C88E221005T3	NORTECH LOGO*	DISCONTINUED

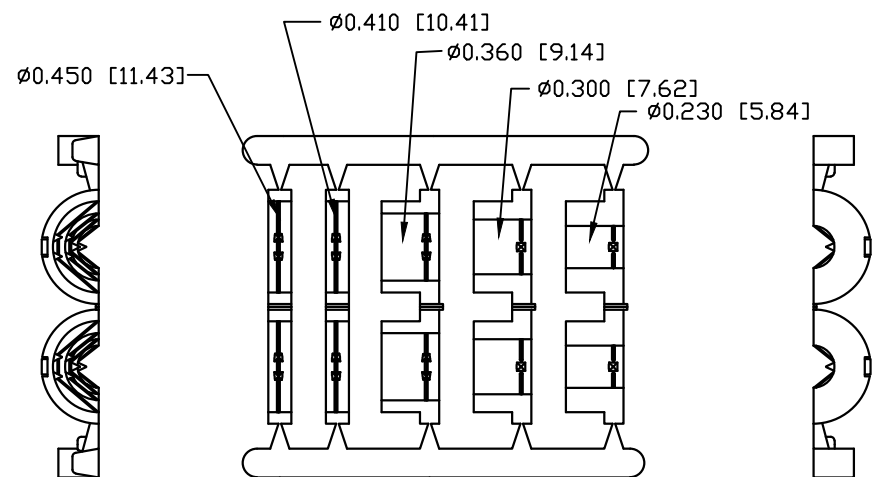
* - SPECIAL ORDER ITEM - CONTACT NORTHERN TECHNOLOGIES

CONNECTOR COVER:

1. MATERIAL: THERMOPLASTIC UL94V-0
2. COLOR: BLACK
3. DIMENSIONS: INCHES [MM]
4. TOLERANCE: ±0.015 [0.381]

JACKET INSERT TREE

1. MATERIAL: POLYPROPYLENE HOMOPOLYMER
2. COLOR: BLACK
3. DIMENSIONS: INCHES [MM]
4. TOLERANCE: ±0.010 [0.254]



JACKET INSERT TREE
QTY: 1

THIS IS A CONTROLLED DOCUMENT AND IS SUBJECT TO CHANGE. CONTACT NORTHERN TECHNOLOGIES ENGINEERING FOR THE LATEST REVISION.

UNLESS OTHERWISE SPECIFIED

1. ALL DIMENSIONS ARE IN INCHES (MM)
2. DIMENSIONS ARE TYPICAL

Northern Technologies

THIS DRAWING IS THE PROPERTY OF NORTHERN TECHNOLOGIES AND SHOULD NOT BE REPRODUCED WITHOUT NORTHERN TECHNOLOGIES WRITTEN PERMISSION.

PART NUMBER SEE PART NUMBER INFORMATION

DESCRIPTION CPP 25 45 DEGREE EXIT
TWO PIECE PLASTIC COVER WITH THUMBSCREWS

DRAWN JSD	09-DEC-08	SIZE B	CODE 200_129T3	DWG NO. 0002-200-129T3	REV A
CHECKED SCN	09-DEC-08	SCALE N.T.S.		SHEET 1 OF 1	
ISSUED	09-DEC-08				