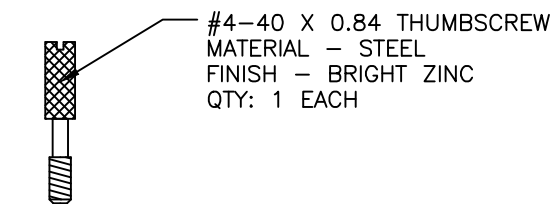
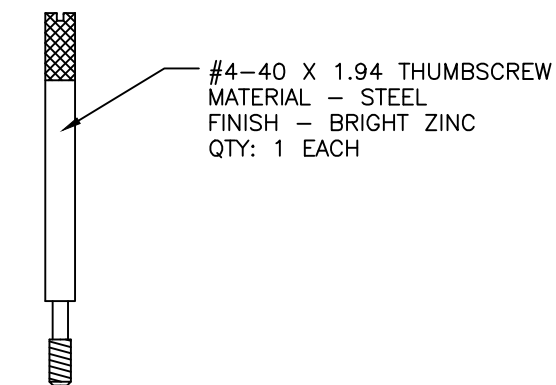
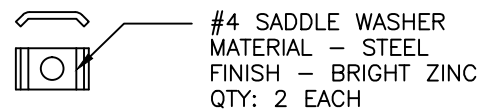
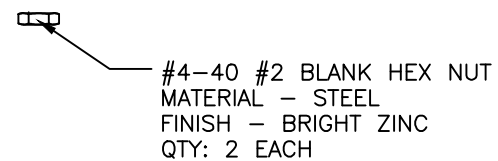
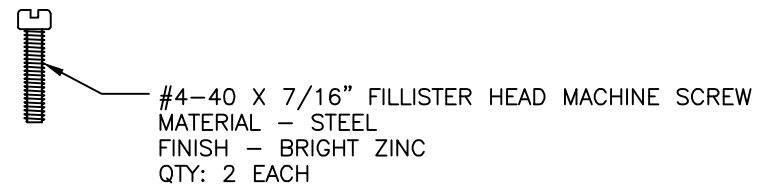
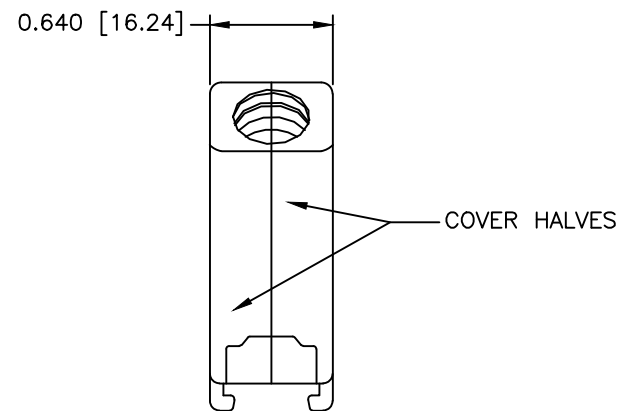
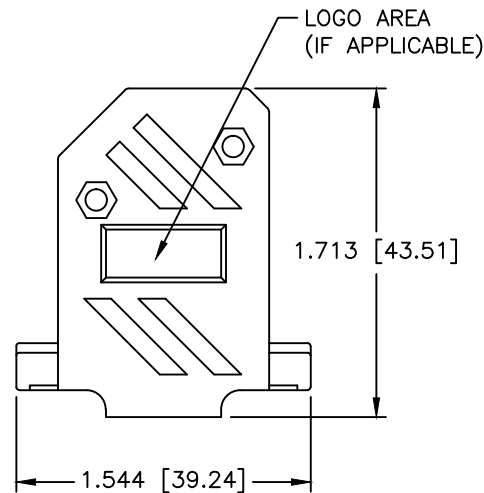
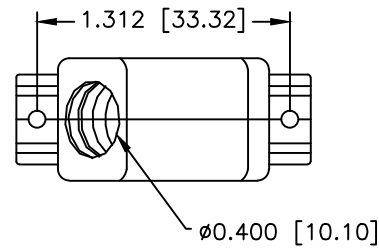


REVISIONS				
ZONE	REV	DESCRIPTION	DATE	APPROVED
	A	ECN 0844	19-FEB-24	



PART NUMBER INFORMATION
COLOR: BLACK

PART#	LOGO STYLE	SUPPLIED
C88E210004T3	NO LOGO	PACKAGED
C88E211004T3	NORTECH LOGO*	PACKAGED

COLOR: GRAY - DISCONTINUED

PART#	LOGO STYLE	SUPPLIED
C88E210005T3	NO LOGO	DISCONTINUED
C88E211005T3	NORTECH LOGO*	DISCONTINUED

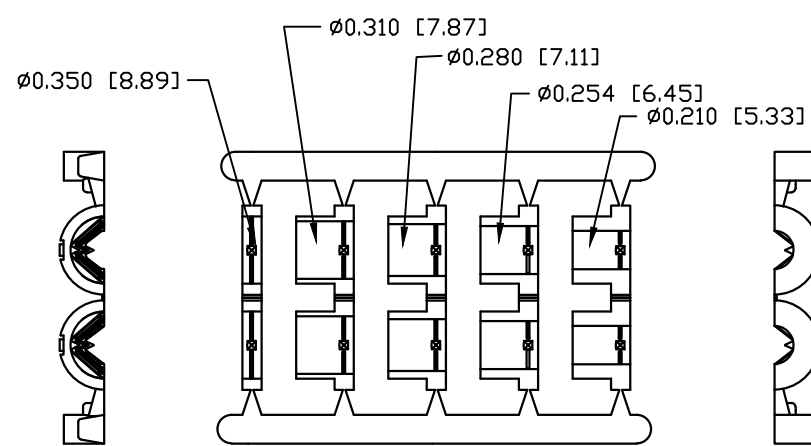
* - SPECIAL ORDER ITEM - CONTACT NORTHERN TECHNOLOGIES

CONNECTOR COVER:

1. MATERIAL: THERMOPLASTIC UL94V-0
2. COLOR: BLACK
3. DIMENSIONS: INCHES [MM]
4. TOLERANCE: ±0.015 [0.381]

JACKET INSERT TREE

1. MATERIAL: POLYPROPYLENE HOMOPOLYMER
2. COLOR: BLACK
3. DIMENSIONS: INCHES [MM]
4. TOLERANCE: ±0.010 [0.254]



JACKET INSERT TREE
QTY: 1

THIS IS A CONTROLLED DOCUMENT AND IS SUBJECT TO CHANGE. CONTACT NORTHERN TECHNOLOGIES ENGINEERING FOR THE LATEST REVISION.

UNLESS OTHERWISE SPECIFIED 1. ALL DIMENSIONS ARE IN INCHES (MM) 2. DIMENSIONS ARE TYPICAL		Northern Technologies <small>THIS DRAWING IS THE PROPERTY OF NORTHERN TECHNOLOGIES AND SHOULD NOT BE REPRODUCED WITHOUT NORTHERN TECHNOLOGIES WRITTEN PERMISSION.</small>		
DRAWN JSD		PART NUMBER SEE PART NUMBER INFORMATION		
09-DEC-08		DESCRIPTION CPP 15 45 DEGREE EXIT TWD PIECE PLASTIC COVER WITH THUMBSCREWS		
CHECKED SCN	09-DEC-08	SIZE B	CODE 200_128T3	DWG NO. 0002-200-128T3
ISSUED	09-DEC-08	SCALE N.T.S.		REV A
				SHEET 1 OF 1