

REVISIONS				
ZONE	REV	DESCRIPTION	DATE	APPROVED
	A	ECN 0607	10-AUG-06	

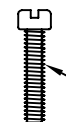



PART NUMBER INFORMATION
COLOR: BLACK

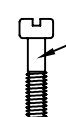
PART#	LOGO STYLE	SUPPLIED
A30E320004	NO LOGO	BULK
C88E320004	NO LOGO	PACKAGED
A30E321004	NORTECH LOGO	BULK
C88E321004	NORTECH LOGO	PACKAGED


COLOR: GRAY

PART#	LOGO STYLE	SUPPLIED
A30E320005	NO LOGO	BULK
C88E320005	NO LOGO	PACKAGED
A30E321005	NORTECH LOGO	BULK
C88E321005	NORTECH LOGO	PACKAGED

 #4-40 X 7/16" FILLISTER HEAD MACHINE SCREW
MATERIAL - STEEL
FINISH - BRIGHT ZINC (HEXAVALENT CHROMIUM FREE)
QTY: 2 EACH

 #4-40 #2 BLANK HEX NUT
MATERIAL - STEEL
FINISH - BRIGHT ZINC (HEXAVALENT CHROMIUM FREE)
QTY: 2 EACH

 #4-40 X 1/2" FILLISTER HEAD CAPTIVE SCREW
MATERIAL - STEEL
FINISH - BRIGHT ZINC (HEXAVALENT CHROMIUM FREE)
QTY: 2 EACH

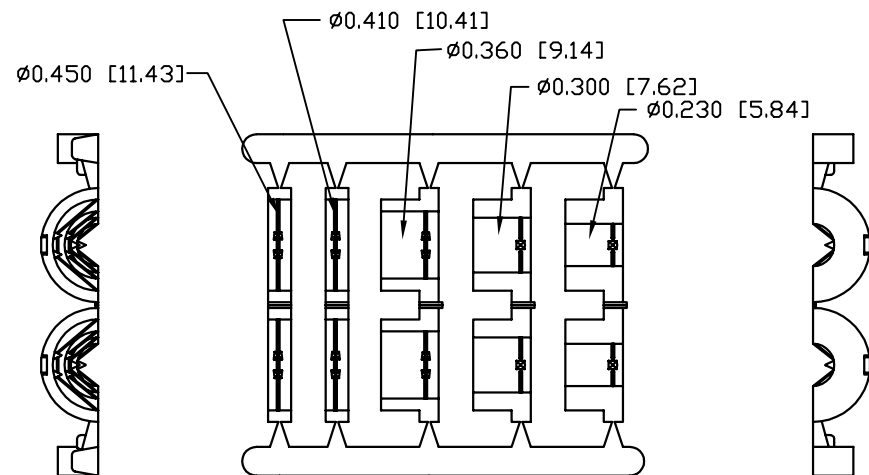
 #4 SADDLE WASHER
MATERIAL - STEEL
FINISH - BRIGHT ZINC (HEXAVALENT CHROMIUM FREE)
QTY: 2 EACH

CONNECTOR COVER:

- 1.MATERIAL: THERMOPLASTIC UL94V-0
- 2.COLOR: BLACK OR GRAY (SEE PART NUMBER INFORMATION)
- 3.DIMENSIONS: INCHES [MM]
- 4.TOLERANCE: ±0.015 [0.381]

JACKET INSERT TREE

- 1.MATERIAL: POLYPROPYLENE HOMOPOLYMER
- 2.COLOR: BLACK
- 3.DIMENSIONS: INCHES [MM]
- 4.TOLERANCE: ±0.010 [0.254]



JACKET INSERT TREE
QTY: 1

THIS IS A CONTROLLED DOCUMENT AND IS SUBJECT TO CHANGE. CONTACT NORTHERN TECHNOLOGIES ENGINEERING FOR THE LATEST REVISION.

UNLESS OTHERWISE SPECIFIED

1. ALL DIMENSIONS ARE IN INCHES (MM)
2. DIMENSIONS ARE TYPICAL

Northern Technologies

THIS DRAWING IS THE PROPERTY OF NORTHERN TECHNOLOGIES AND SHOULD NOT BE REPRODUCED WITHOUT NORTHERN TECHNOLOGIES WRITTEN PERMISSION.

PART NUMBER SEE PART NUMBER INFORMATION
DESCRIPTION CPP 25 STR EXIT TWO PIECE PLASTIC COVER

DRAWN JSD	27-APR-05	SIZE B	CODE 200_124	DWG NO. 0002-200-124	REV
CHECKED SCN	27-APR-05	SCALE 1:1		SHEET 1 OF 1	
ISSUED	01-SEP-05				