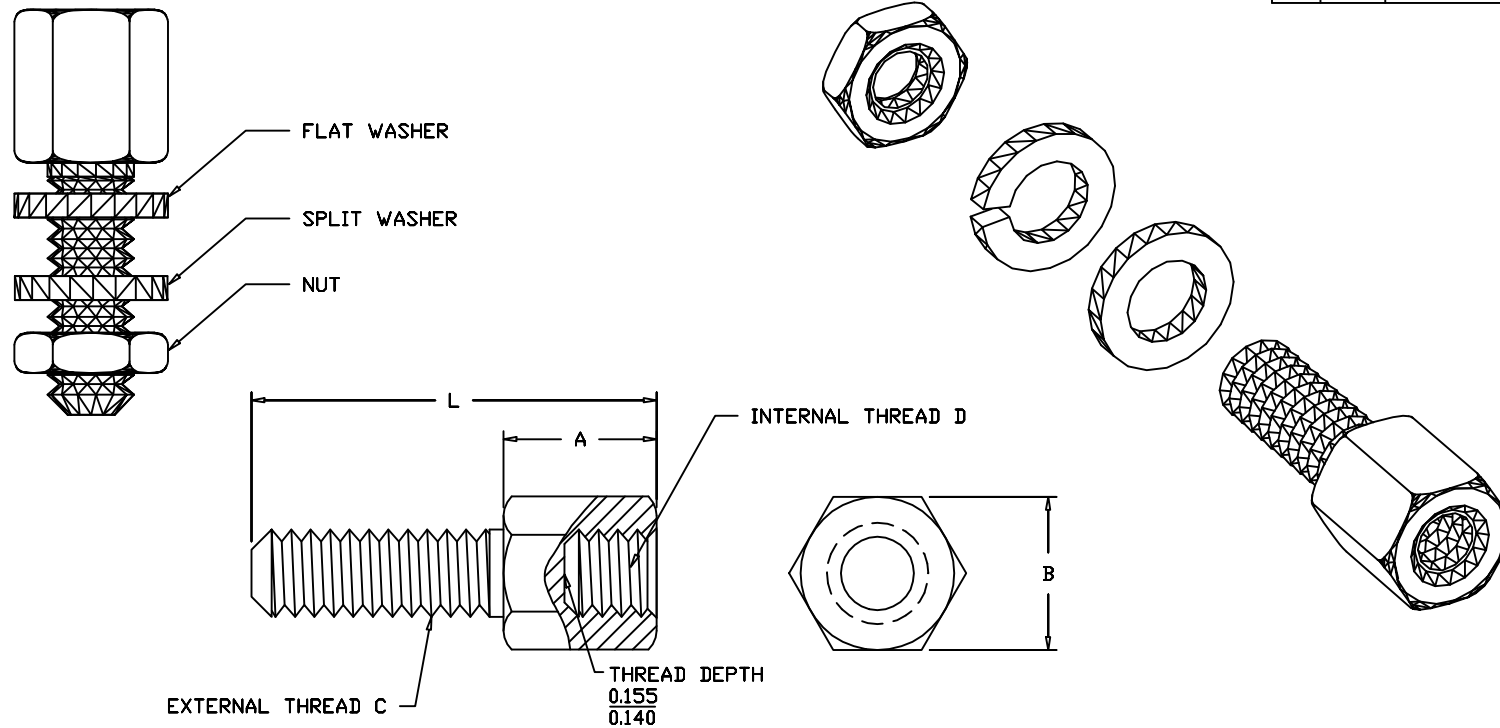


| REV | DATE | DESCRIPTION | APP |
|-----|------|-------------|-----|
| | | | |
| | | | |



| PART No. | L ±0.012(0.3) | A ±0.01(0.2) | B ±0.005(0.1) | EXTERNAL THREAD C | INTERNAL THREAD D |
|------------|------------------|-----------------|------------------|----------------------|----------------------|
| C89E014009 | 0.512 (13.0) | 0.189 (4.80) | 0.187 (4.76) | 4-40 UNC-2A | 4-40 UNC-2B |

NOTES:

1. FEMALE SCREWLOCK MATERIAL: BRASS
2. FEMALE SCREWLOCK FINISH: NICKEL PLATE
3. 4-40 WASHER MATERIAL: STEEL
4. 4-40 WASHER FINISH: NICKEL PLATE
5. 4-40 LOCK WASHER MATERIAL: STEEL
6. 4-40 LOCK WASHER FINISH: NICKEL PLATE
7. 4-40 NUT MATERIAL: STEEL
8. 4-40 NUT FINISH: NICKEL PLATE

C89E014009 CONSISTS OF:
 2 - LOW PROFILE FEMALE SCREWLOCKS
 2 - 4-40 FLAT WASHERS
 2 - 4-40 SPLIT WASHERS
 2 - 4-40 NUTS

THIS IS A CONTROLLED DOCUMENT AND IS SUBJECT TO CHANGE. CONTACT NORTHERN TECHNOLOGIES ENGINEERING FOR THE LATEST REVISION.

| | | | | | |
|---|------------|-----|--------------|--|---------------|
| UNLESS OTHERWISE SPECIFIED 1. ALL DIMENSIONS ARE IN INCHES (MM) 2. DIMENSIONS ARE TYPICAL | SIGNATURES | | DATE | Northern Technologies <small>THIS DRAWING IS THE PROPERTY OF NORTHERN TECHNOLOGIES AND SHOULD NOT BE REPRODUCED WITHOUT NORTHERN TECHNOLOGIES WRITTEN PERMISSION.</small> | |
| | DRAWN | JSD | 04-NOV-05 | | |
| | CHECKED | SCN | 04-NOV-05 | PART NUMBER C89E014009 DESCRIPTION FEMALE SCREWLOCK ASSEMBLY (RoHS) | |
| | ISSUED | | 04-NOV-05 | SHEET 1 | CODE 7100_153 |
| | | | SCALE N.T.S. | SHEET 1 OF 1 | |