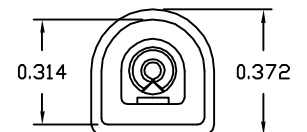
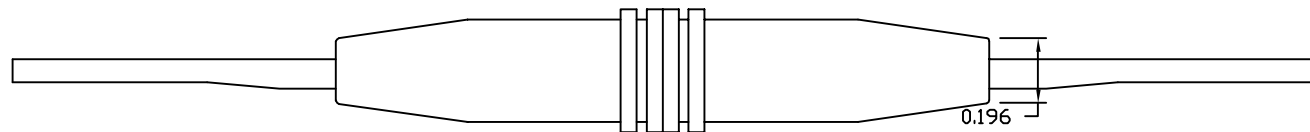
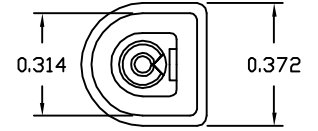
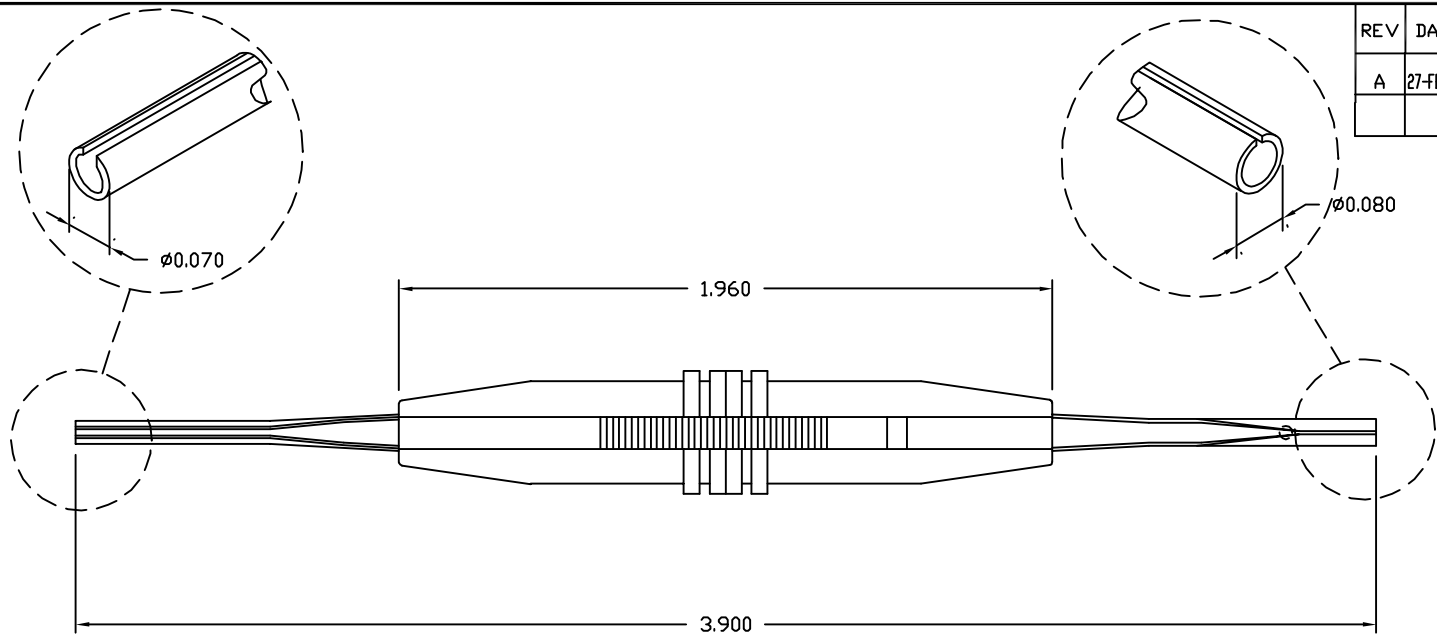


REV	DATE	DESCRIPTION	APP
A	27-FEB-02	ECN 0311	



UNLESS OTHERWISE SPECIFIED 1. ALL DIMENSIONS ARE IN INCHES (MM) 2. DIMENSIONS ARE TYPICAL	SIGNATURES		DATE		Northern Technologies		
	DRAWN	L.C.	08-APR-96				
	CHECKED	JSD	08-APR-96		DESCRIPTION CT-001 INSERTION/EXTRACTION TOOL		
	ENG						
	ISSUED		08-APR-96		SHEET 1	CODE 7000_101	DWG NO. 7000-500-101
				SCALE N.T.S.		SHEET 1 OF 1	

THIS DRAWING IS THE PROPERTY OF NORTHERN TECHNOLOGIES AND SHOULD NOT BE REPRODUCED WITHOUT NORTHERN TECHNOLOGIES WRITTEN PERMISSION.