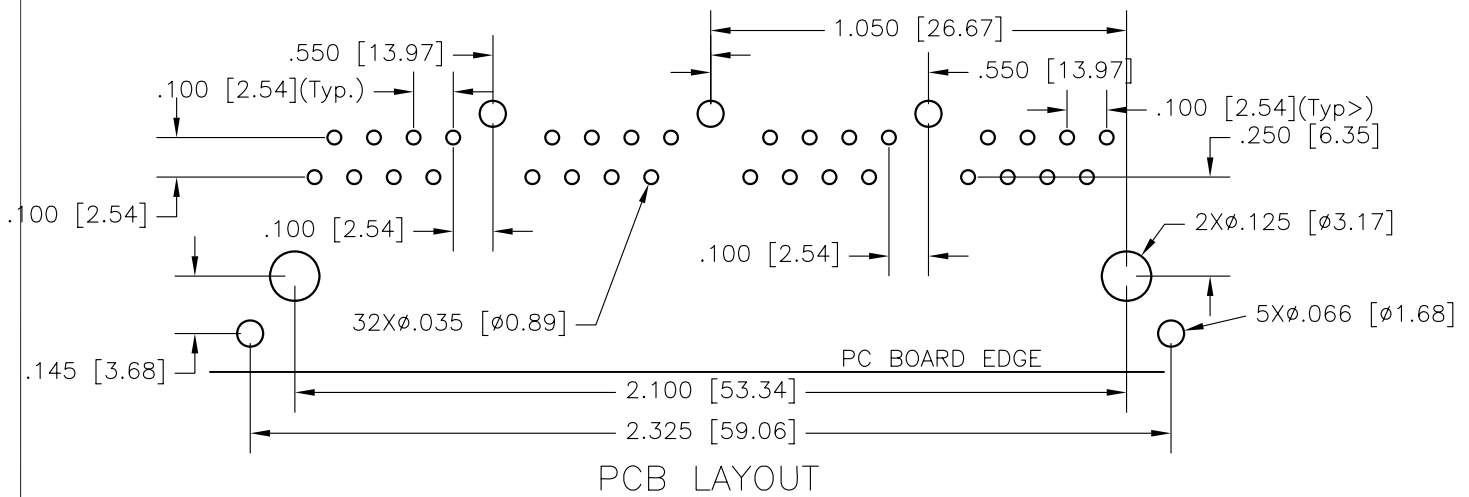
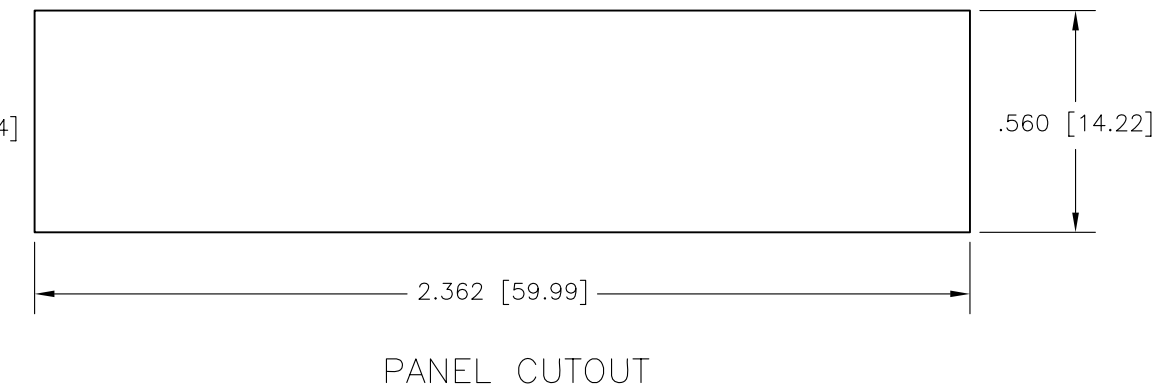
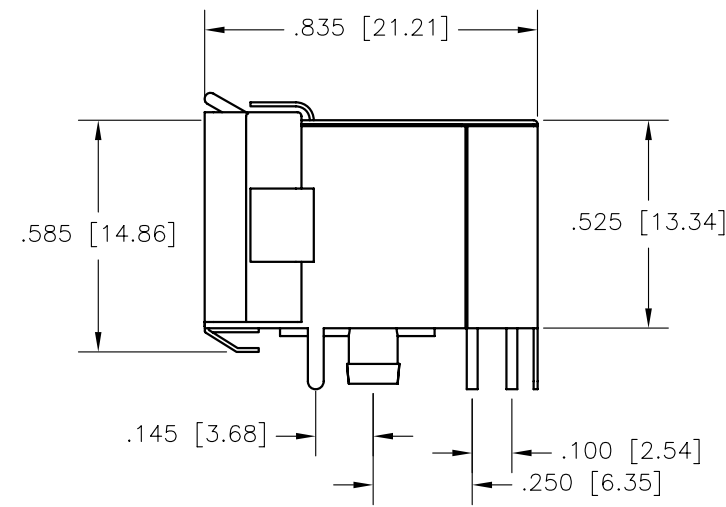
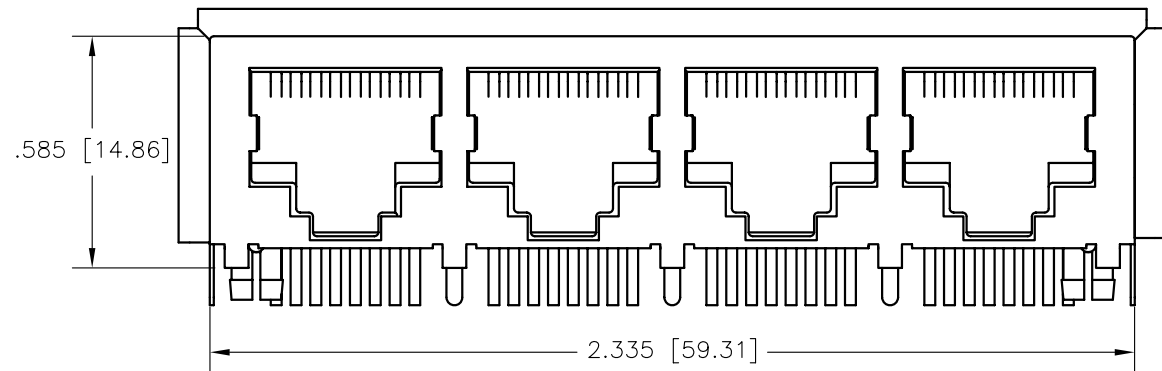


REVISIONS				
ZONE	REV	DESCRIPTION	DATE	APPROVED

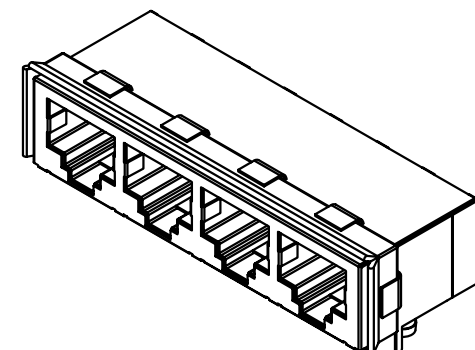


MATERIAL:
Housing: PBT Glass Filled – UL94V-0
Shield: Tin Plated Copper Alloy
Contacts: Phosphor Bronze 50u” Gold Over Nickel

ELECTRICAL:
Insulation Resistance: 500 Megohms minimum
Dielectric Withstanding Voltage: 1000V RMS
Contact Resistance: 30 Milliohms max.

MECHANICAL:
Durability: 1000 Mating Cycles

OPERATING TEMPERATURE:
-20°C TO +85°C



THIS IS A CONTROLLED DOCUMENT AND IS SUBJECT TO CHANGE. CONTACT NORTHERN TECHNOLOGIES ENGINEERING FOR THE LATEST REVISION.

UNLESS OTHERWISE SPECIFIED 1. ALL DIMENSIONS ARE IN INCHES [MM] 2. DIMENSIONS ARE TYPICAL		Northern Technologies <small>THIS DRAWING IS THE PROPERTY OF NORTHERN TECHNOLOGIES AND SHOULD NOT BE REPRODUCED WITHOUT NORTHERN TECHNOLOGIES WRITTEN PERMISSION.</small>		
DRAWN Luis C.		PART NUMBER RE155P30804		
CHECKED JSD		DESCRIPTION 4 PORT RJ45 JACK SHIELDED W/GASKET		
ISSUED 16-MAR-09		SIZE B	CODE 200_253	DWG NO. 0002-200-253
		SCALE NTS	SHEET 1 OF 1	