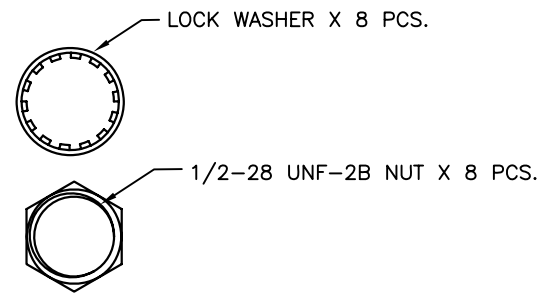
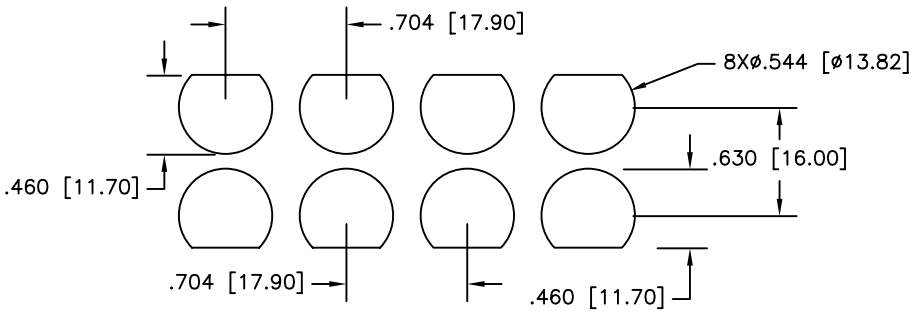
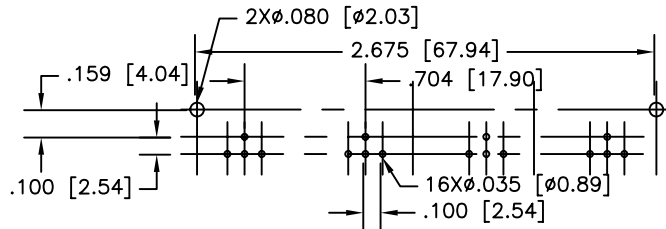
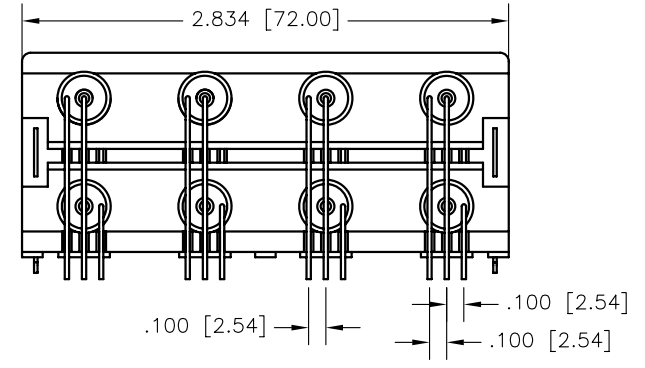
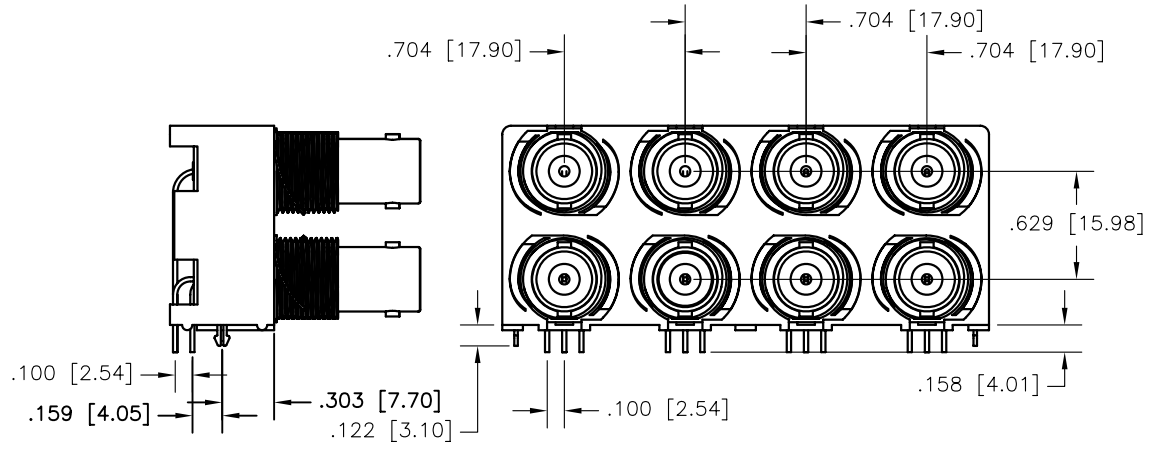


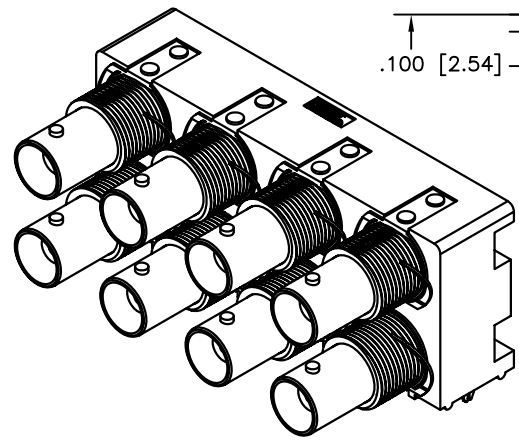
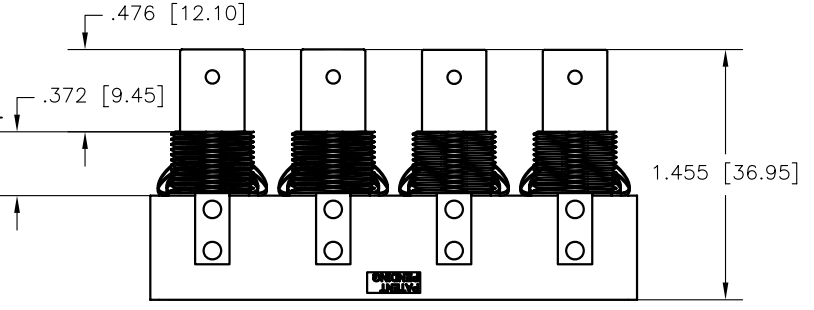
REV	DATE	DESCRIPTION	APP



PANEL CUTOUT



P.C.B. LAYOUT



THIS IS A CONTROLLED DOCUMENT AND IS SUBJECT TO CHANGE. CONTACT NORTHERN TECHNOLOGIES ENGINEERING FOR THE LATEST REVISION.

UNLESS OTHERWISE SPECIFIED		SIGNATURES	DATE	Northern Technologies		THIS DRAWING IS THE PROPERTY OF NORTHERN TECHNOLOGIES AND SHOULD NOT BE REPRODUCED WITHOUT NORTHERN TECHNOLOGIES WRITTEN PERMISSION.		
1. DIMENSIONS IN INCHES [MM] 2. TOLERANCE UNLESS OTHERWISE SPECIFIED .XXX ± .005 [0.127] .XX ± .02 [0.508] .X ± .03 [0.762] FRACT. ± 1/32" ANGULAR ± 1/2°		DRAWN	JSD	05-MAR-09	PART NUMBER		SEE PART NUMBER INFORMATION	
		CHECKED	SCN	05-MAR-09	DESCRIPTION		BNC R/A 8 PORT PCB MOUNT FILTERED	
		ISSUED		05-MAR-09	SHEET	CODE	DWG NO.	
					200_250	0002-200-250		
				SCALE	N.T.S.	SHEET	1 OF 2	

REV	DATE	DESCRIPTION	APP

BNC SPECIFICATIONS

Electrical:

1. Impedence: See Part Number Information
2. Frequency Range: 0 ~ 1 GHz
3. Voltage Rating: 500 volts rms
4. Dielectric Withstanding Voltage: 1500 volts rms
5. Contact Resistance: 3.0 Milliohms Max. (Contact Area)
6. Insulation Resistance: 5000 Megohms Min.
6. Capacitors: 4700pf X 2 per Port

Mechanical:

1. Mating Cycles: 500 min.

Material:

1. Body: PBT+30%G.F.
2. Outer Shell: Zinc Alloy – Nickel Plated
3. Center Contact: Phosphor Bronze with Gold Plating at Contact Area, Tin Plating with Nickel Underplate over Tail.
4. Grounding Pin: Copper – Tin Plated
5. Insulator: Polypropylene UL 94HB
6. Mounting Posts: Brass – Tin Plated
7. Spring Washer: Brass – Nickel Plated

Environmental:

1. Operating Temperature Range: -65°C to +165°C
2. Thermal Shock: MIL-STD-202 method 107, test condition B
3. Physical Shock: MIL-STD-202 method 204, test condition B

PART NUMBER INFORMATION

PART NUMBER	HOUSING	IMPEDENCE
RBNCRHD8E5W472PZZ	WHITE	50 ohms
RBNCRHD8E7W472PZZ	WHITE	75 ohms

THIS IS A CONTROLLED DOCUMENT AND IS SUBJECT TO CHANGE. CONTACT NORTHERN TECHNOLOGIES ENGINEERING FOR THE LATEST REVISION.

UNLESS OTHERWISE SPECIFIED	SIGNATURES	DATE	Northern Technologies <small>THIS DRAWING IS THE PROPERTY OF NORTHERN TECHNOLOGIES AND SHOULD NOT BE REPRODUCED WITHOUT NORTHERN TECHNOLOGIES WRITTEN PERMISSION.</small>			
1. DIMENSIONS IN INCHES [MM] 2. TOLERANCE UNLESS OTHERWISE SPECIFIED .XXX ± .005 [0.127] .XX ± .02 [0.508] .X ± .03 [0.762] FRACT. ± 1/32 ANGULAR ± 1/2°	DRAWN JSD	05-MAR-09	PART NUMBER SEE PART NUMBER INFORMATION DESCRIPTION BNC R/A 8 PORT PCB MOUNT FILTERED			
	CHECKED SCN	05-MAR-09				
	ISSUED	05-MAR-09	SHEET	CODE	DWG NO.	
				200_250	0002-200-250	
			SCALE	N.T.S.		SHEET 2 OF 2