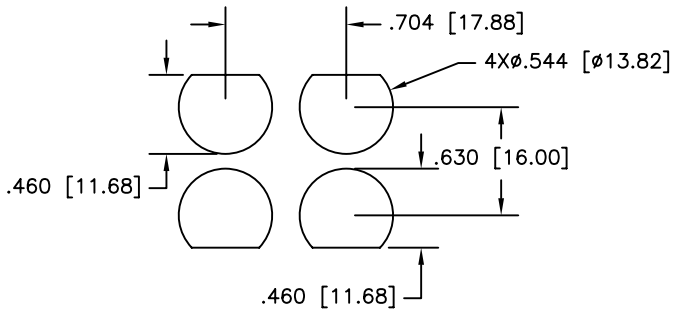
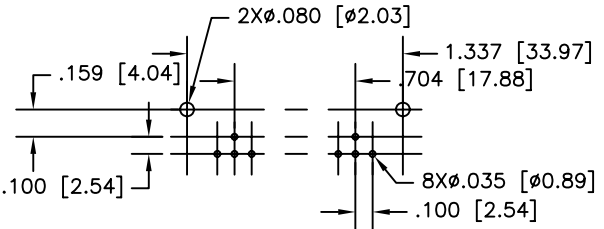
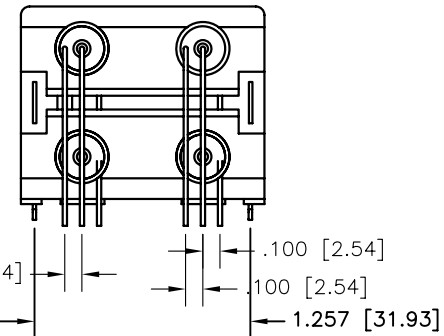
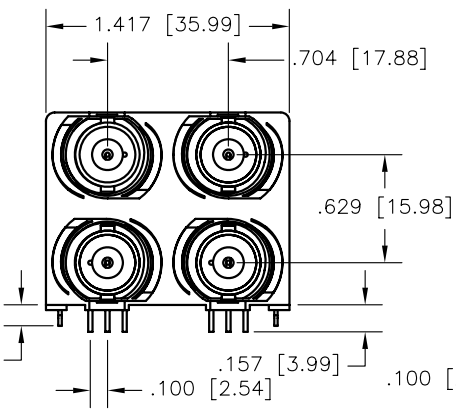
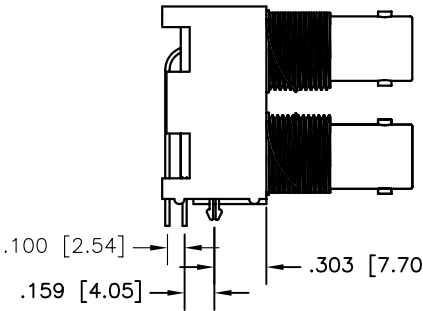
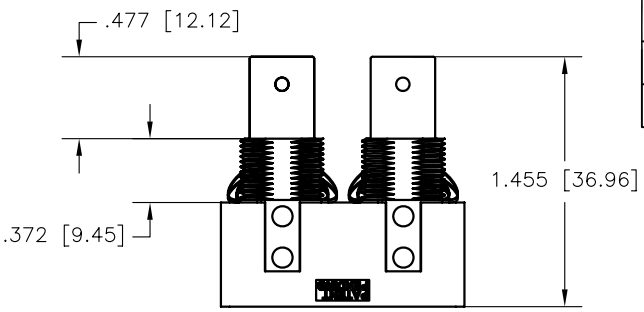


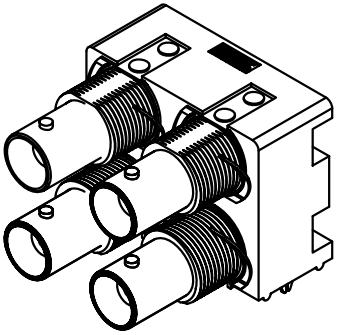
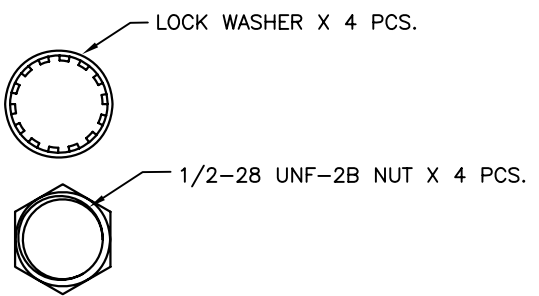
REV	DATE	DESCRIPTION	APP



PANEL CUTOUT



P.C.B. LAYOUT



THIS IS A CONTROLLED DOCUMENT AND IS SUBJECT TO CHANGE. CONTACT NORTHERN TECHNOLOGIES ENGINEERING FOR THE LATEST REVISION.

UNLESS OTHERWISE SPECIFIED	SIGNATURES	DATE	Northern Technologies		THIS DRAWING IS THE PROPERTY OF NORTHERN TECHNOLOGIES AND SHOULD NOT BE REPRODUCED WITHOUT NORTHERN TECHNOLOGIES WRITTEN PERMISSION.
1. DIMENSIONS IN INCHES [MM] 2. TOLERANCE UNLESS OTHERWISE SPECIFIED .XXX ± .005 [0.127] .XX ± .02 [0.508] .X ± .03 [0.762] FRACT. ± 1/32 ANGULAR ± 1/2°	DRAWN JSD	05-MAR-09	PART NUMBER SEE PART NUMBER INFORMATION		DESCRIPTION BNC R/A 4 PORT PCB MOUNT FILTERED
	CHECKED SCN	05-MAR-09			
	ISSUED	05-MAR-09	SHEET	CODE 200_248	DWG NO. 0002-200-248
	SCALE N.T.S.	SHEET 1 OF 2			

REV	DATE	DESCRIPTION	APP

**BNC SPECIFICATIONS**

**Electrical:**

1. Impedence: See Part Number Information
2. Frequency Range: 0 ~ 1 GHz
3. Voltage Rating: 500 volts rms
4. Dielectric Withstanding Voltage: 1500 volts rms
5. Contact Resistance: 3.0 Milliohms Max. (Contact Area)
6. Insulation Resistance: 5000 Megohms Min.
6. Capacitors: 4700pf X 2 per Port

**Mechanical:**

1. Mating Cycles: 500 min.

**Material:**

1. Body: PBT+30%G.F.
2. Outer Shell: Zinc Alloy – Nickel Plated
3. Center Contact: Phosphor Bronze with Gold Plating at Contact Area, Tin Plating with Nickel Underplate over Tail.
4. Grounding Pin: Copper – Tin Plated
5. Insulator: Polypropylene UL 94HB
6. Mounting Posts: Brass – Tin Plated
7. Spring Washer: Brass – Nickel Plated

**Environmental:**

1. Operating Temperature Range: -65°C to +165°C
2. Thermal Shock: MIL-STD-202 method 107, test condition B
3. Physical Shock: MIL-STD-202 method 204, test condition B

**PART NUMBER INFORMATION**

PART NUMBER	HOUSING	IMPEDENCE
RBNCRHD4E5W4728ZZ	WHITE	50 ohms
RBNCRHD4E7W4728ZZ	WHITE	75 ohms

THIS IS A CONTROLLED DOCUMENT AND IS SUBJECT TO CHANGE. CONTACT NORTHERN TECHNOLOGIES ENGINEERING FOR THE LATEST REVISION.

UNLESS OTHERWISE SPECIFIED	SIGNATURES	DATE	Northern Technologies		THIS DRAWING IS THE PROPERTY OF NORTHERN TECHNOLOGIES AND SHOULD NOT BE REPRODUCED WITHOUT NORTHERN TECHNOLOGIES WRITTEN PERMISSION.
1. DIMENSIONS IN INCHES [MM] 2. TOLERANCE UNLESS OTHERWISE SPECIFIED .XXX ± .005 [0.127] .XX ± .02 [0.508] .X ± .03 [0.762] FRACT. ± 1/32 ANGULAR ± 1/2°	DRAWN JSD	05-MAR-09	PART NUMBER SEE PART NUMBER INFORMATION		DESCRIPTION BNC R/A 4 PORT PCB MOUNT FILTERED
	CHECKED SCN	05-MAR-09			
	ISSUED	05-MAR-09	SHEET	CODE	DWG NO.
				200_248	0002-200-248
			SCALE	N.T.S.	SHEET 2 OF 2