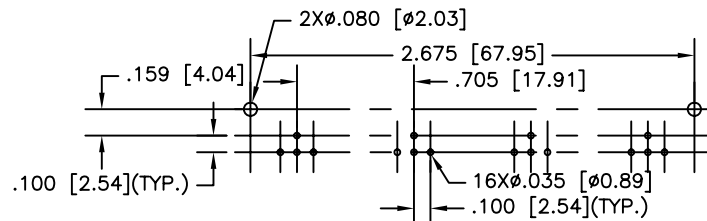
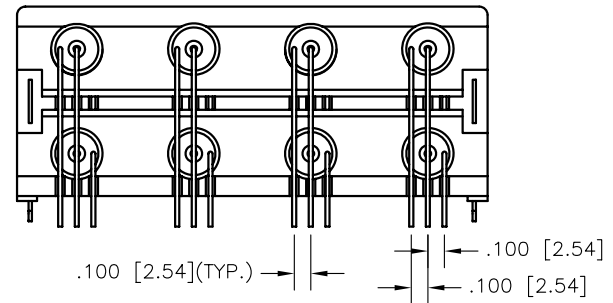
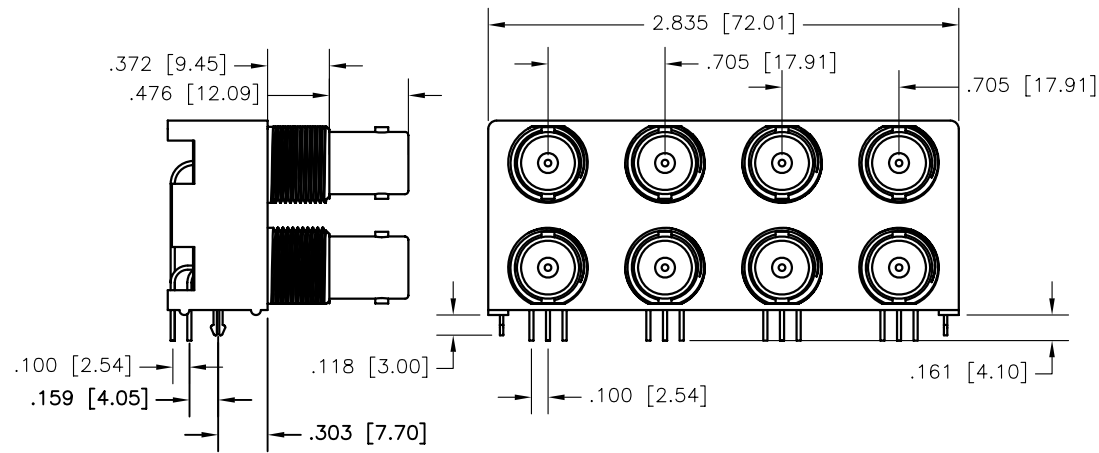
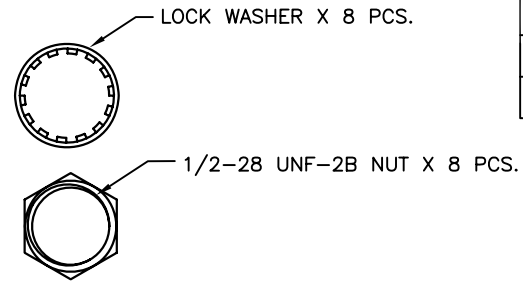
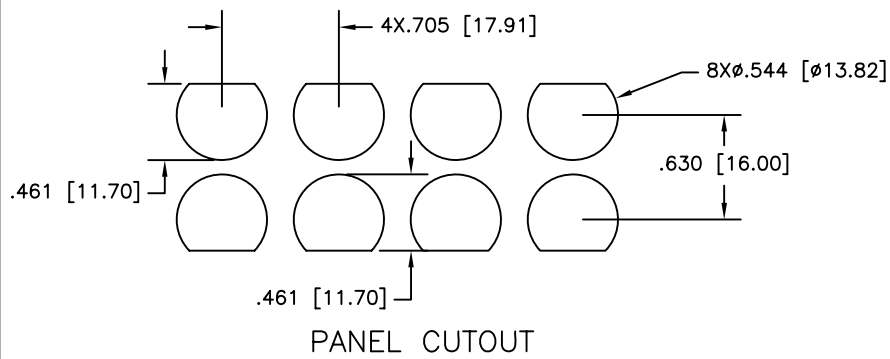
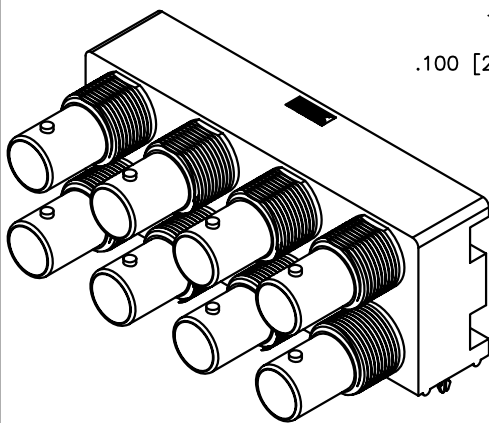
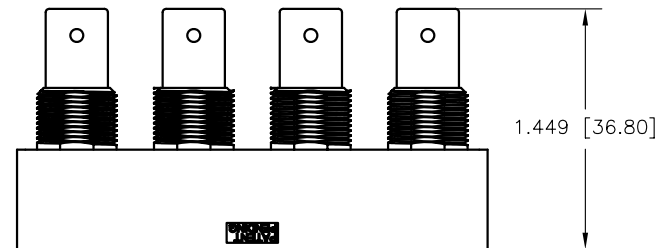


REV	DATE	DESCRIPTION	APP



P.C.B. LAYOUT



THIS IS A CONTROLLED DOCUMENT AND IS SUBJECT TO CHANGE. CONTACT NORTHERN TECHNOLOGIES ENGINEERING FOR THE LATEST REVISION.

UNLESS OTHERWISE SPECIFIED	SIGNATURES	DATE	Northern Technologies			THIS DRAWING IS THE PROPERTY OF NORTHERN TECHNOLOGIES AND SHOULD NOT BE REPRODUCED WITHOUT NORTHERN TECHNOLOGIES WRITTEN PERMISSION.
1. DIMENSIONS IN INCHES [MM] 2. TOLERANCE UNLESS OTHERWISE SPECIFIED .XXX ± .005 [0.127] .XX ± .02 [0.508] .X ± .03 [0.762] FRACT. ± 1/32" ANGULAR ± 1/2°	DRAWN	JSD	19-FEB-09	PART NUMBER		SEE PART NUMBER INFORMATION
	CHECKED	SCN	19-FEB-09	DESCRIPTION		BNC R/A 8 PORT PCB MOUNT
	ISSUED		20-FEB-09	SHEET 1	CODE 200-247	DWG NO. 0002-200-247
				SCALE N.T.S.		SHEET 1 OF 2

REV	DATE	DESCRIPTION	APP

BNC SPECIFICATIONS

Electrical:

1. Impedence: See Part Number Information
2. Frequency Range: 0 ~ 1 GHz
3. Voltage Rating: 500 volts rms
4. Dielectric Withstanding Voltage: 1500 volts rms
5. Contact Resistance: 3.0 Milliohms Max. (Contact Area)
6. Insulation Resistance: 5000 Megohms Min.

Mechanical:

1. Mating Cycles: 500 min.

Material:

1. Body: PBT+30%G.F.
2. Outer Shell: Zinc Alloy – Nickel Plated
3. Center Contact: Phosphor Bronze with Gold Plating at Contact Area, Tin Plating with Nickel Underplate over Tail.
4. Grounding Pin: Copper – Tin Plated
5. Insulator: Polypropylene UL 94HB
6. Mounting Posts: Brass – Tin Plated

Environmental:

1. Operating Temperature Range: -65°C to +165°C
2. Thermal Shock: MIL-STD-202 method 107, test condition B
3. Physical Shock: MIL-STD-202 method 204, test condition B

PART NUMBER INFORMATION

PART NUMBER	HOUSING	IMPEDENCE
RBNCRHD8E5W0000ZZ	WHITE	50 ohms
RBNCRHD8E7W0000ZZ	WHITE	75 ohms

THIS IS A CONTROLLED DOCUMENT AND IS SUBJECT TO CHANGE. CONTACT NORTHERN TECHNOLOGIES ENGINEERING FOR THE LATEST REVISION.

UNLESS OTHERWISE SPECIFIED	SIGNATURES	DATE	Northern Technologies		THIS DRAWING IS THE PROPERTY OF NORTHERN TECHNOLOGIES AND SHOULD NOT BE REPRODUCED WITHOUT NORTHERN TECHNOLOGIES WRITTEN PERMISSION.	
1. DIMENSIONS IN INCHES [MM] 2. TOLERANCE UNLESS OTHERWISE SPECIFIED .XXX ± .005 [0.127] .XX ± .02 [0.508] .X ± .03 [0.762] FRACT. ± 1/32 ANGULAR ± 1/2°	DRAWN JSD	19-FEB-09	PART NUMBER SEE PART NUMBER INFORMATION		DESCRIPTION BNC R/A 8 PORT PCB MOUNT	
	CHECKED SCN	19-FEB-09				
	ISSUED		20-FEB-09	SHEET 1	CODE 200-247	DWG NO. 0002-200-247
				SCALE N.T.S.		SHEET 2 OF 2