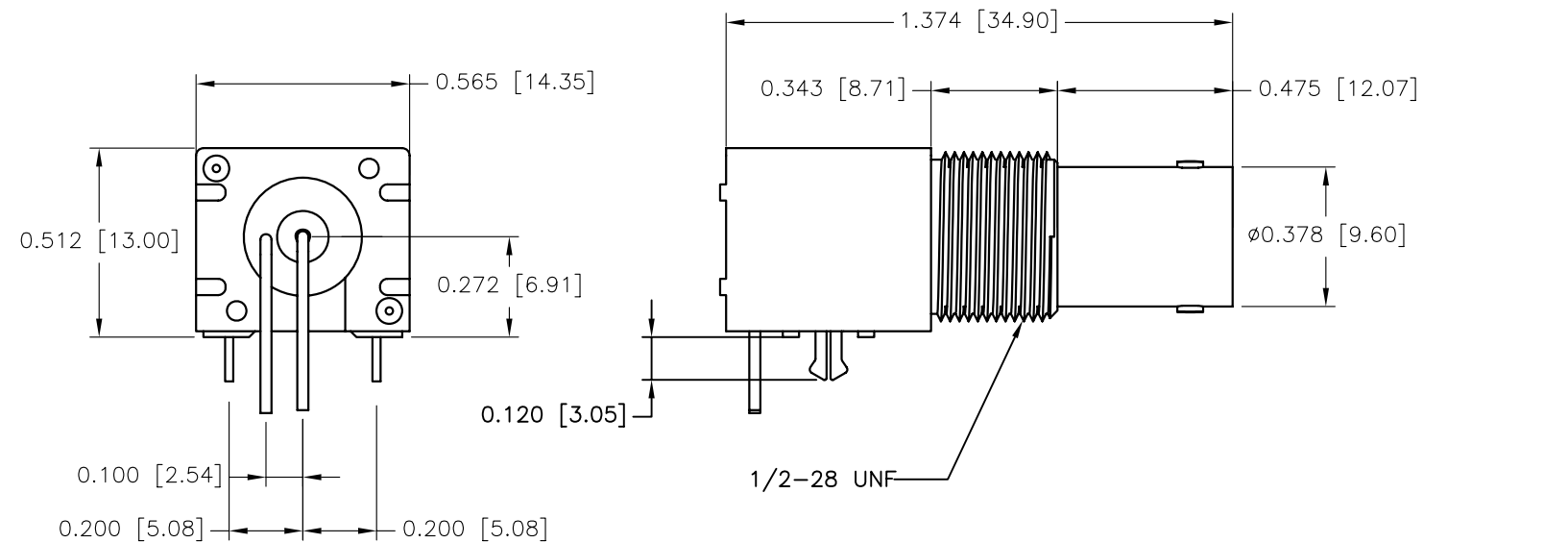


REVISIONS				
ZONE	REV	DESCRIPTION	DATE	APPROVED
	A	ECN 0651	24-APR-08	



Part Number Information

Part Number	Housing	Impedance
RBNCRLSE5W0000ZZ	White	50 ohms
RBNCRLSE7W0000ZZ	White	75 ohms
RBNCRLSE5B0000ZZ	Black	50 ohms
RBNCRLSE7B0000ZZ	Black	75 ohms

Electrical Characteristics

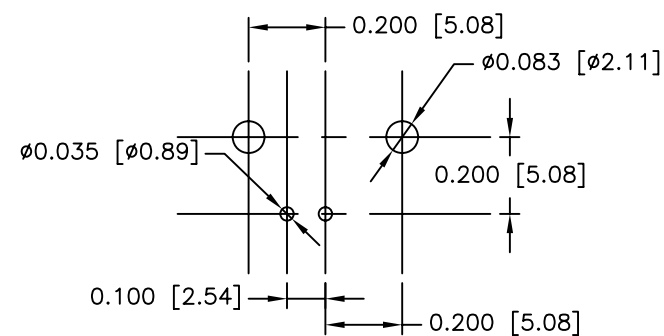
1. Impedance: See Part Number Information
2. Contact Resistance: 15 Milliohms Maximum
3. Insulation Resistance: 5000 Megohms Minimum
4. Dielectric Withstanding Voltage: 1000 VAC (1 minute)

Environmental Characteristics

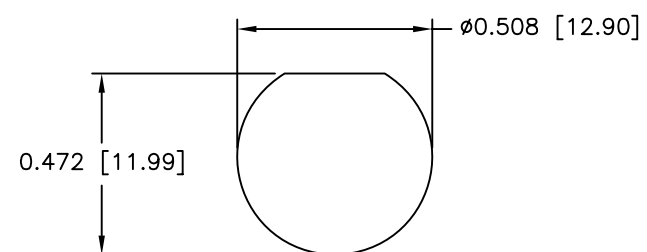
1. Operating Temperature Range: -55°C to +85°C

Material Specifications

1. Insulator: PBT Glass Filled Polyester - UL94V-0
2. Contacts: Copper Alloy
3. Contact Plating: 6ui Au over Ni in Contact Area
4. Mounting Posts: Tin Plating over Copper Alloy



PCB LAYOUT
TOP VIEW



PANEL CUTOUT

THIS IS A CONTROLLED DOCUMENT AND IS SUBJECT TO CHANGE. CONTACT NORTHERN TECHNOLOGIES ENGINEERING FOR THE LATEST REVISION.

UNLESS OTHERWISE SPECIFIED 1. ALL DIMENSIONS ARE IN INCHES (MM) 2. DIMENSIONS ARE TYPICAL		Northern Technologies <small>THIS DRAWING IS THE PROPERTY OF NORTHERN TECHNOLOGIES AND SHOULD NOT BE REPRODUCED WITHOUT NORTHERN TECHNOLOGIES WRITTEN PERMISSION.</small>		
DRAWN Luis C.		PART NUMBER SEE PART NUMBER INFORMATION		
CHECKED JSD		DESCRIPTION BNC R/A LOW PROFILE PCB MOUNT		
ISSUED		SIZE B	CODE 200_234	DWG NO. 0002-200-234
27-NOV-06		SCALE NTS		REV
05-DEC-06		SHEET 1 OF 1		
20-DEC-06				