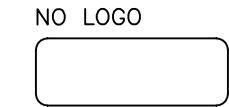
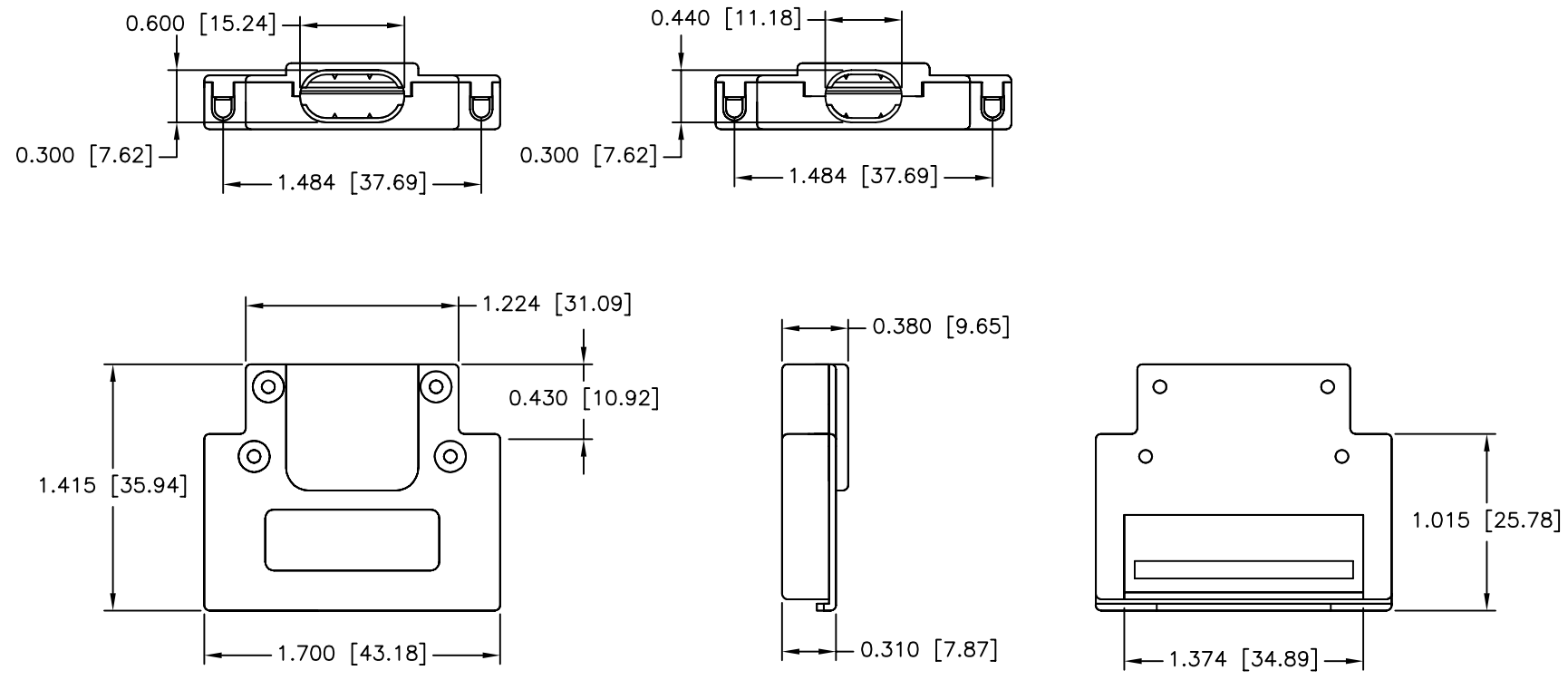


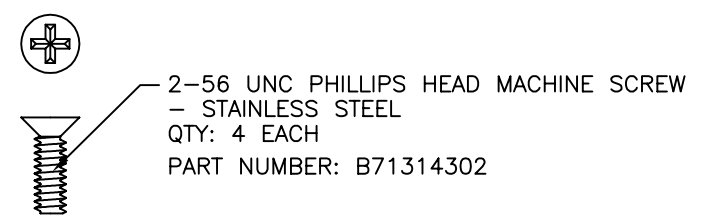
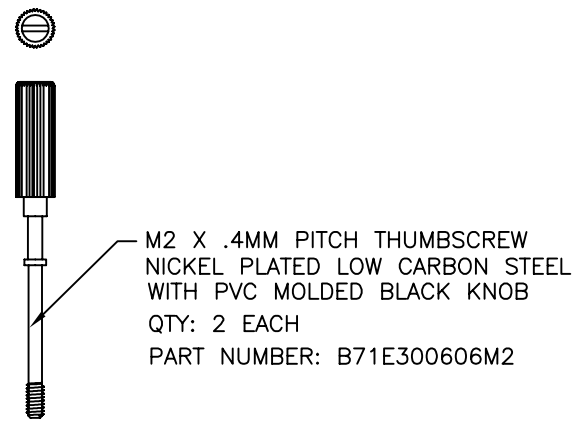
REVISIONS

ZONE	REV	DESCRIPTION	DATE	APPROVED
	A	ECN 0616	15-AUG-06	



PART NUMBER INFORMATION

Cable O.D. Range	PART#	LOGO STYLE	SUPPLIED
0.440"	N90E520000	NO LOGO	PACKAGED
0.440"	NA90E520000	NO LOGO COVER TOP	BULK
0.440"	NA90E520100	COVER BOTTOM	BULK
0.365" - 0.402"	N90E620000	NO LOGO	PACKAGED
0.365" - 0.402"	NA90E620000	NO LOGO	BULK
0.365" - 0.402"	NA90E620100	COVER BOTTOM	BULK



CONNECTOR COVER:

- 1.MATERIAL: ZINC ALLOY
- 2.FINISH: SEMI BRIGHT NICKEL PLATING PER NTC SPECIFICATION N/T 000400
- 3.DIMENSIONS: INCHES [MM]
- 4.TOLERANCE: ±0.015 [0.381]

THIS IS A CONTROLLED DOCUMENT AND IS SUBJECT TO CHANGE. CONTACT NORTHERN TECHNOLOGIES ENGINEERING FOR THE LATEST REVISION.

UNLESS OTHERWISE SPECIFIED 1. ALL DIMENSIONS ARE IN INCHES (MM) 2. DIMENSIONS ARE TYPICAL		Northern Technologies <small>THIS DRAWING IS THE PROPERTY OF NORTHERN TECHNOLOGIES AND SHOULD NOT BE REPRODUCED WITHOUT NORTHERN TECHNOLOGIES WRITTEN PERMISSION.</small>		
DRAWN JSD 20-JUL-06		PART NUMBER SEE PART NUMBER INFORMATION		
CHECKED SCN 20-JUL-06		DESCRIPTION CM VHDCI 68C METAL COVER W/THUMBSCREWS		
ISSUED 20-JUL-06		SIZE B	CODE 200_151	DWG NO. 0002-200-151
		SCALE N.T.S.	SHEET 1 OF 1	