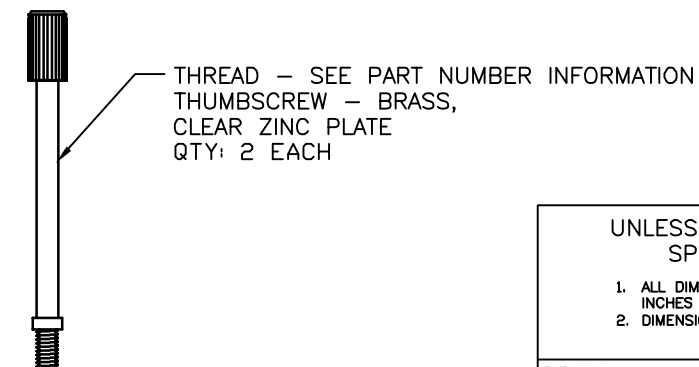
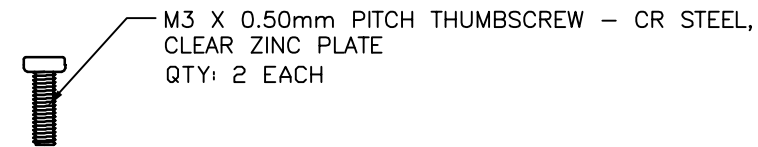
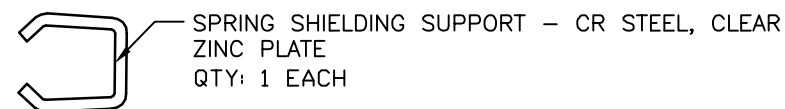
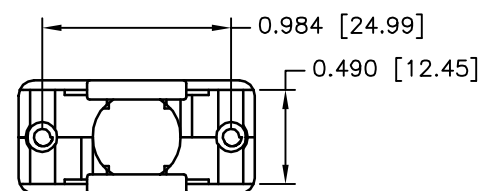
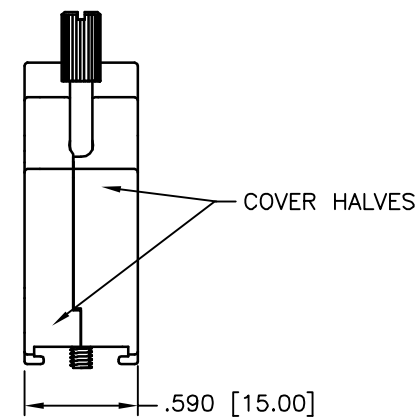
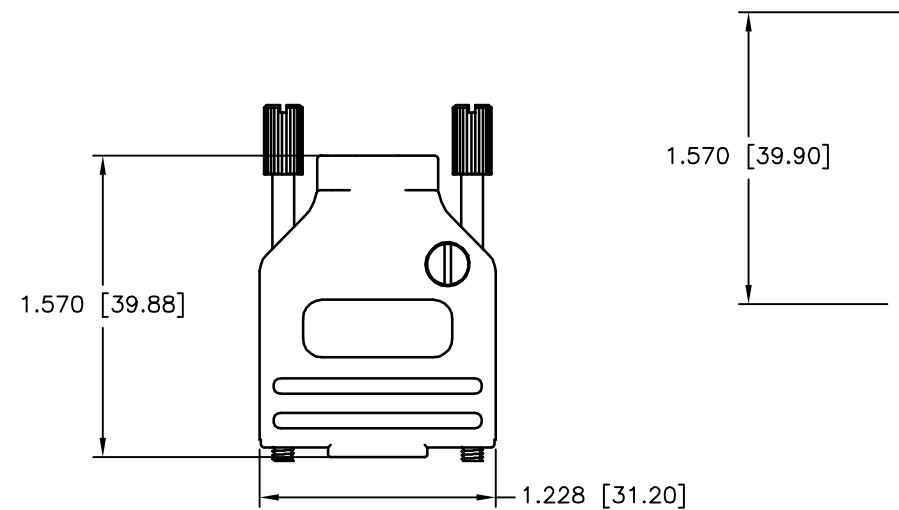


REVISIONS				
ZONE	REV	DESCRIPTION	DATE	APPROVED
	A	ECN 0679	30-OCT-09	
	B	ECN 0684	15-APR-10	



PART NUMBER INFORMATION

PART#	LOGO STYLE	THREAD	SUPPLIED
MHDETZK9K	NO LOGO	4-40 UNC	PACKAGED
MHDETZK9KM25	NO LOGO	M2.5	PACKAGED
MHDETZK9KM26	NO LOGO	M2.6	PACKAGED
MHDETZK9KM3	NO LOGO	M3	PACKAGED

CONNECTOR COVER:

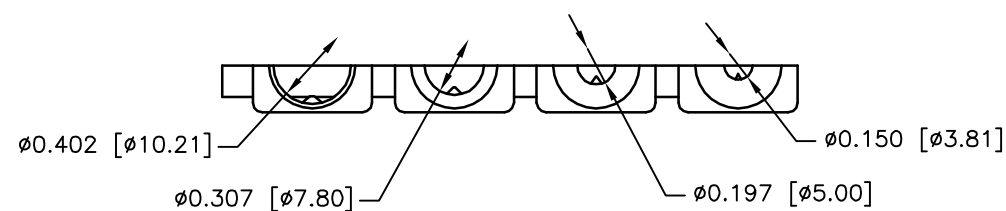
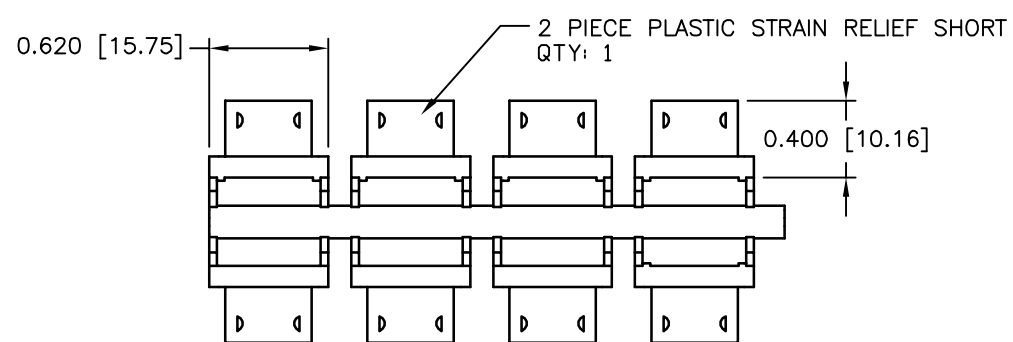
- 1.MATERIAL: ZINC DIE-CAST
- 2.FINISH: NICKEL PLATING
- 3.DIMENSIONS: INCHES [MM]
- 4.TOLERANCE: ±0.015 [0.381]

COMPRESSION INSERT TREE

- 1.MATERIAL: ABS
- 2.COLOR: BLACK
- 3.DUROMETER: 70 - TYPE D
- 4.DIMENSIONS: INCHES [MM]
- 5.TOLERANCE: ±0.015 [0.381]

COMPLIANCE NOTE:

PART MUST BE IN COMPLIANCE TO: DIRECTIVE 2002/95/EC [RoHS]



THIS IS A CONTROLLED DOCUMENT AND IS SUBJECT TO CHANGE. CONTACT NORTHERN TECHNOLOGIES ENGINEERING FOR THE LATEST REVISION.

UNLESS OTHERWISE SPECIFIED 1. ALL DIMENSIONS ARE IN INCHES (MM) 2. DIMENSIONS ARE TYPICAL		Northern Technologies <small>THIS DRAWING IS THE PROPERTY OF NORTHERN TECHNOLOGIES AND SHOULD NOT BE REPRODUCED WITHOUT NORTHERN TECHNOLOGIES WRITTEN PERMISSION.</small>		
DRAWN JSD 14-JUL-06		PART NUMBER SEE PART NUMBER INFORMATION DESCRIPTION CMA 9 STRAIGHT EXIT METAL COVER NICKEL		
CHECKED SCN 14-JUL-06	ISSUED 14-JUL-06	SIZE B	CODE 200_199	DWG NO. 0002-200-199
		SCALE N.T.S.	SHEET 1 OF 1	