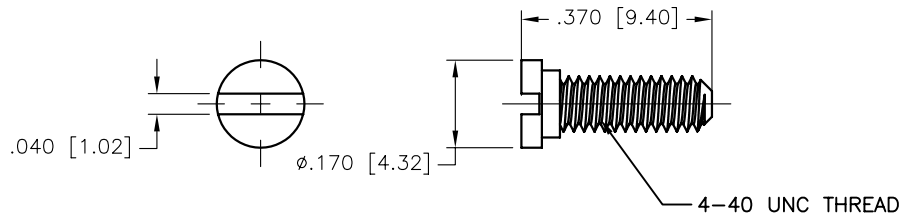
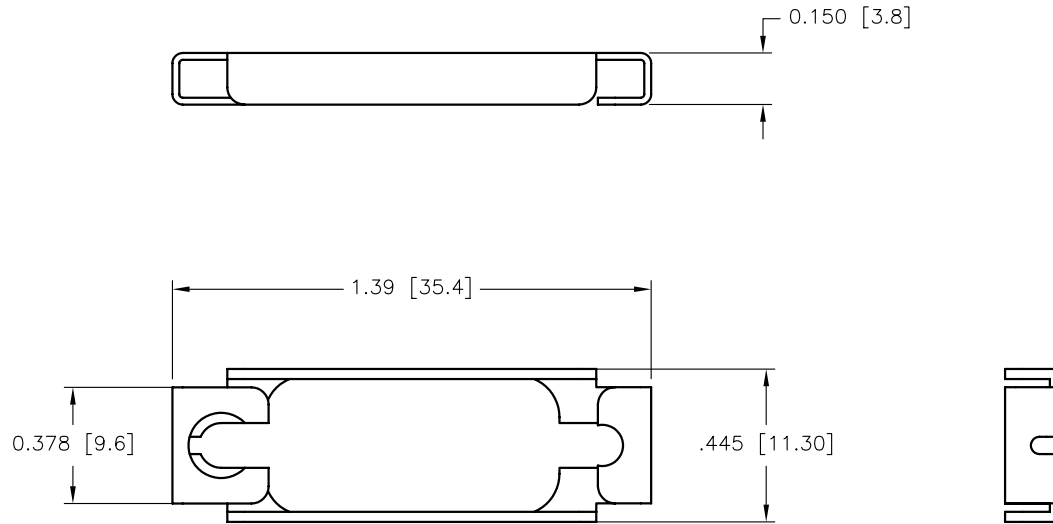


REV	DATE	DESCRIPTION	APP
A	29-JAN-07	ECN 0629	



NOTES:

1. SLIDE LATCH: STAINLESS STEEL
2. #4-40 SCREW: STEEL - NICKEL PLATED
3. FLAT WASHER: STEEL - NICKEL PLATED
4. KIT CONSISTS OF:
 - 1 - SLIDE LATCH
 - 2 - #4-40 SCREWS
5. COMPLIANCE NOTE:
PART MUST BE IN COMPLIANCE TO:
DIRECTIVE 2002/95/EC of 27 January 2003 [RoHS]

THIS IS A CONTROLLED DOCUMENT AND IS SUBJECT TO CHANGE. CONTACT NORTHERN TECHNOLOGIES ENGINEERING FOR THE LATEST REVISION.

UNLESS OTHERWISE SPECIFIED		SIGNATURES	DATE	Northern Technologies			
1. ALL DIMENSIONS ARE IN INCHES (MM) 2. DIMENSIONS ARE TYPICAL		DRAWN Luis C.	28-SEP-05	THIS DRAWING IS THE PROPERTY OF NORTHERN TECHNOLOGIES AND SHOULD NOT BE REPRODUCED WITHOUT NORTHERN TECHNOLOGIES WRITTEN PERMISSION. PART NUMBER C89E014020 DESCRIPTION 9C SLIDE LATCH KIT [RoHS]			
		CHECKED JSD	28-SEP-05				
		ENG			SHEET 1	CODE 7100_195	DWG NO. 7100-500-195
		ISSUED	28-SEP-05		SCALE N.T.S.		SHEET 1 OF 1