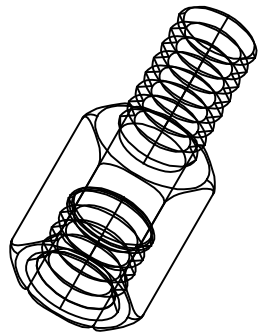
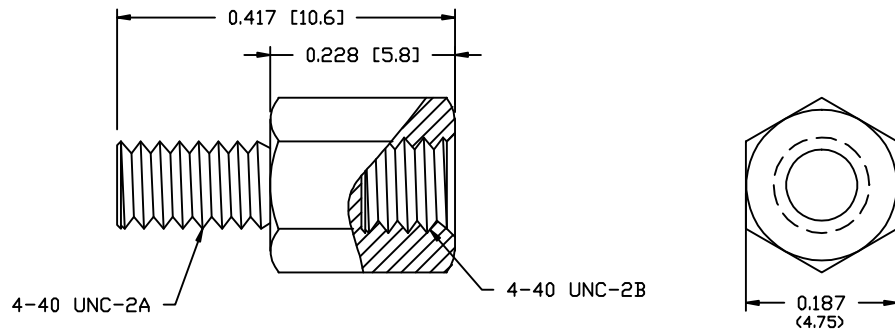


REV	DATE	DESCRIPTION	APP



C89E014015 CONSISTS OF:
2 - FEMALE SCREWLOCKS

THIS DRAWING IS THE PROPERTY OF
NORTHERN TECHNOLOGIES AND SHOULD
NOT BE REPRODUCED WITHOUT NORTHERN
TECHNOLOGIES WRITTEN PERMISSION.

UNLESS OTHERWISE SPECIFIED	SIGNATURES	DATE	Northern Technologies		
1. ALL DIMENSIONS ARE IN INCHES (MM) 2. DIMENSIONS ARE TYPICAL	DRAWN JSD	29-AUG-12	PART NUMBER C89E014015		
	CHECKED SCN	29-AUG-12	DESCRIPTION FEMALE SCREWLOCK SET		
	ENG				
	ISSUED	29-AUG-12	SHEET 1	CODE 7100_154	DWG NO. 7100-500-154
			SCALE N.T.S.		SHEET 1 OF 1