

ALIGNMENT INSTRUCTIONS

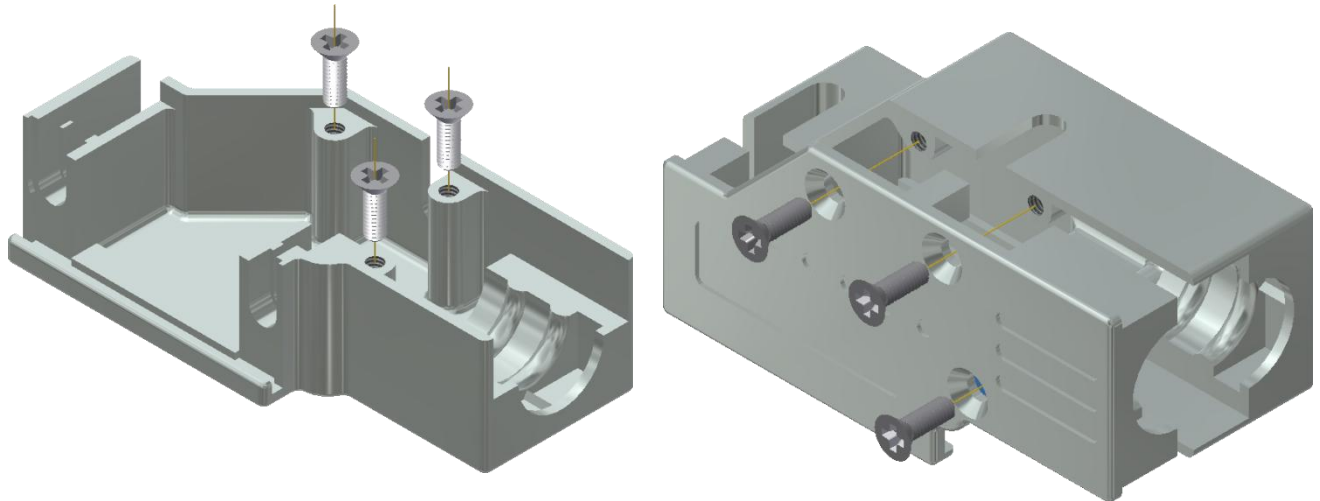
Document No.: EN-1201-2016 rev:01

Effective: 15-DEC-16

Part Numbers: N30E900000 & NA30E900000

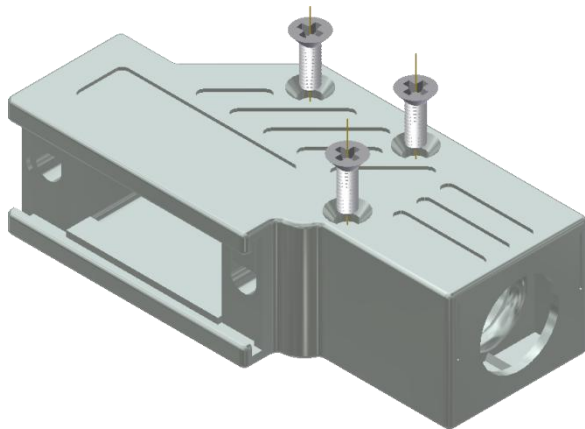
Description: CM 09 90D ULP NOLOGO Connector Cover

Object: To ensure proper alignment of the 3 assembly holes prior to torquing down the machine screws.



It is critical the three assembly screws are properly aligned to the female threads prior to assembly. Improper alignment will cause the screw to bind.

Recommended torque up to 1.5 inch-pounds.
(Set electric screwdrivers to low setting)



The cover halves are designed to float slightly thus it is important you line up the screws to the holes of the top and bottom before fastening down any of the screws.

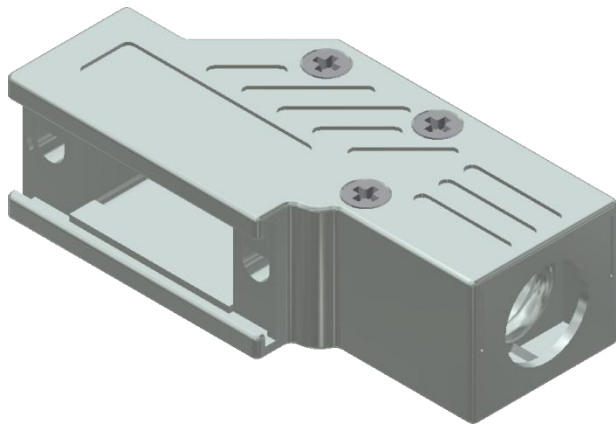
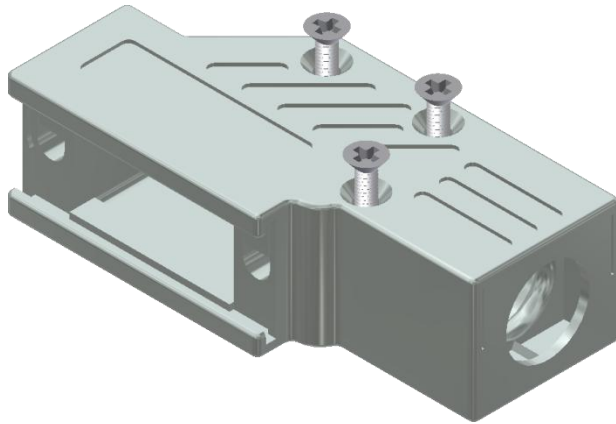
ALIGNMENT INSTRUCTIONS

Document No.: EN-1201-2016 rev:01

Effective: 15-DEC-16

Part Numbers: N30E900000 & NA30E900000

Description: CM 09 90D ULP NOLOGO Connector Cover



Partially engage each screw to ensure you have not cross-threaded any of the screws. Cross-threading the screw will cause it to bind. To correct this, back out the screw, check for proper alignment of holes and make sure screw is perpendicular to the female thread. Make a few turns to ensure proper engagement of screw. Once all screws are in place, fasten the screws using recommended torque specifications. (You may need to increase torque slightly if a screw is properly aligned yet appears to be binding)

If any of the screws are angled to the cover, one of two problems may have occurred.

1. The top half of the connector cover holes were not properly aligned to the bottom half before fastening the screws.
2. The screw was not set perpendicular to the female thread before fastening.

Correct the cause and repeat alignment procedures.