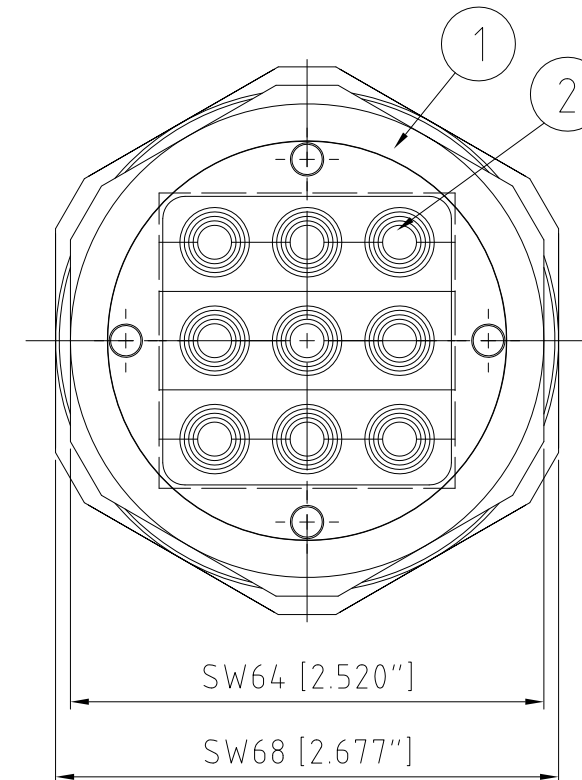
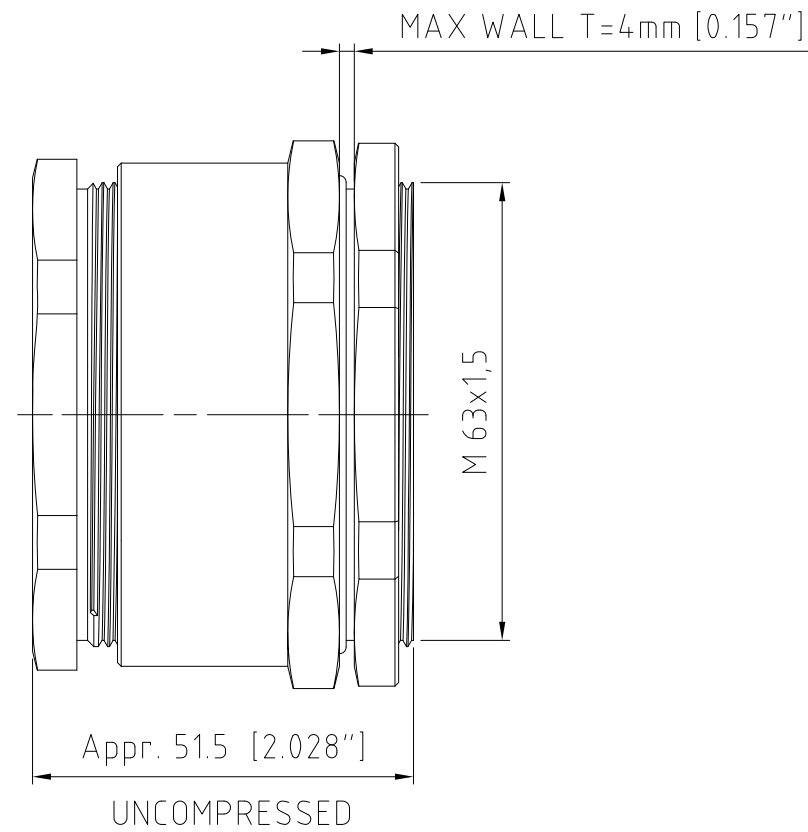

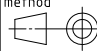


We reserve all rights in this document and in the information contained therein. Reproduction, use or disclosure to third parties without express authority is strictly forbidden. ©ROXTEC INTERNATIONAL AB

MATERIAL AND SURFACE TREATMENT			
I	SS 5170	CuZn39Pb3	C36000



2	3	GM 15w40	0+ 3.5-10.5mm	-
1	1	RG M63	SS 5170	-
Item	Qty	Designation	Specification	Net Weight
ROXTEC INTERNATIONAL AB BOX 540 S-371 23 Karlskrona TEL: +46 455 366700 FAX: +46 455 82012		Designed by se-joahel	Date 2003-12-17	General tolerance ISO 2768-1 m
		Checked by se-jorake	Format A3	Welded details SS-EN 25 817 SS-EN 30 042 C
		Approved by se-jorake	Scale 1:1	General surface roughness, Ra -
		Restricted due to Information Drawing	Title RG M63/9 ASSEMBLY KIT	Projection method 
			Drawing number S1005738	Rev B

B	PARTLIST CORRECTED	2010-04-09	se-milkar
Rev	Type of revision	Date	Sign