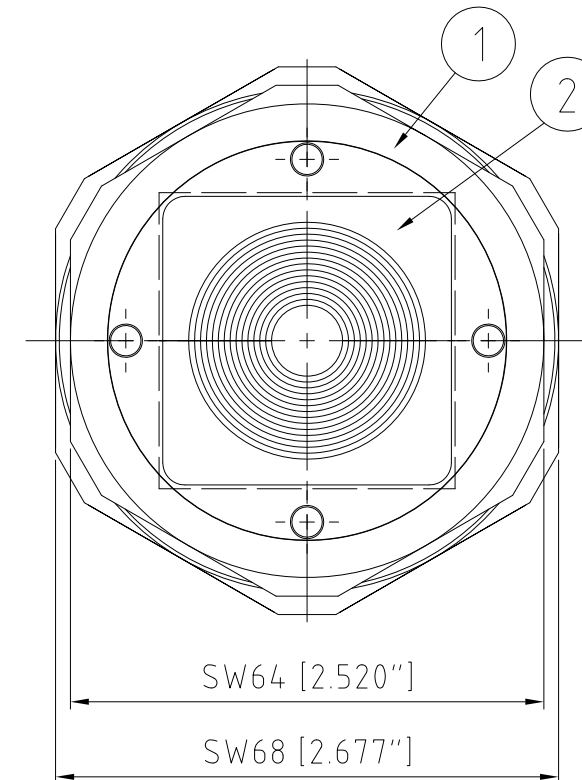
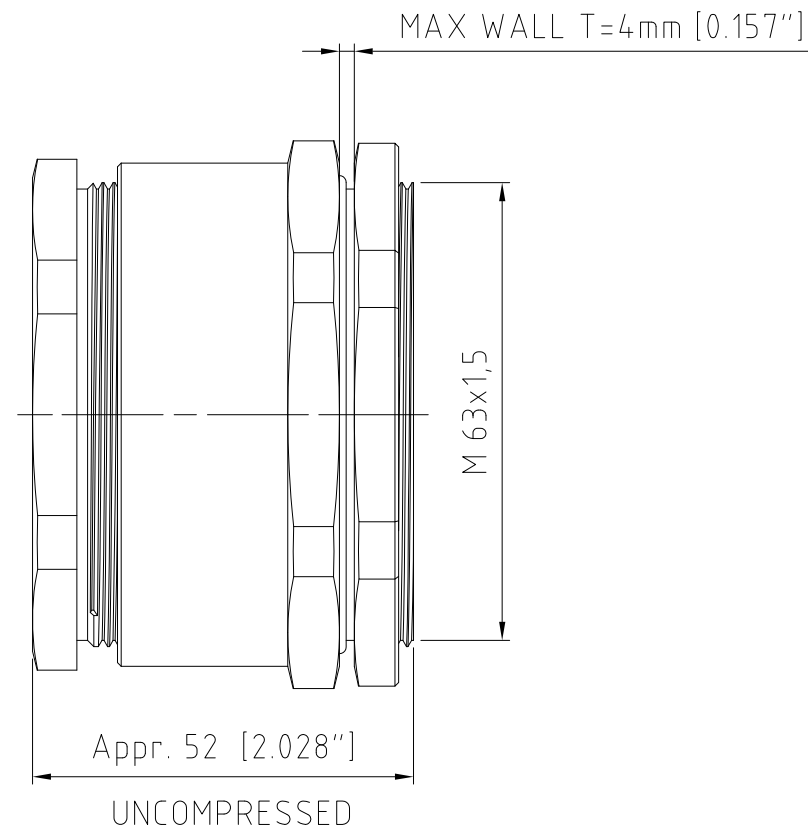


We reserve all rights in this document and in the information contained therein. Reproduction, use or disclosure to third parties without express authority is strictly forbidden. ©ROXTEC INTERNATIONAL AB

| MATERIAL AND SURFACE TREATMENT | | | |
|--------------------------------|---------|-----------|--------|
| I | SS 5170 | CuZn39Pb3 | - |
| | | | C36000 |



| 2 | 1 | GM 40 10-32 | 0+ 9.5-32.5mm | - |
|--|-----|--|-----------------------------------|--|
| 1 | 1 | RG M63 | SS 5170 | - |
| Item | Qty | Designation | Specification | Net Weight |
| ROXTEC INTERNATIONAL AB BOX 540 S-371 23 Karlskrona TEL: +46 455 366700 FAX: +46 455 82012 | | Designed by se-joahel | Date 2003-12-17 | General tolerance ISO 2768-1 m |
| | | Checked by | Format A3 | Welded details SS-EN 25 817 SS-EN 30 042 C |
| | | Approved by se-jorake | Scale 1:1 | General surface roughness, Ra - |
| | | Restricted due to Information Drawing | Title RG M63/1 ASSMEBLY KIT | Projection method |
| | | | Drawing number S1005729 | Rev B |

| B | PARTLIST CORRECTED | 2010-04-09 | se-milkar |
|-----|--------------------|------------|-----------|
| Rev | Type of revision | Date | Sign |

