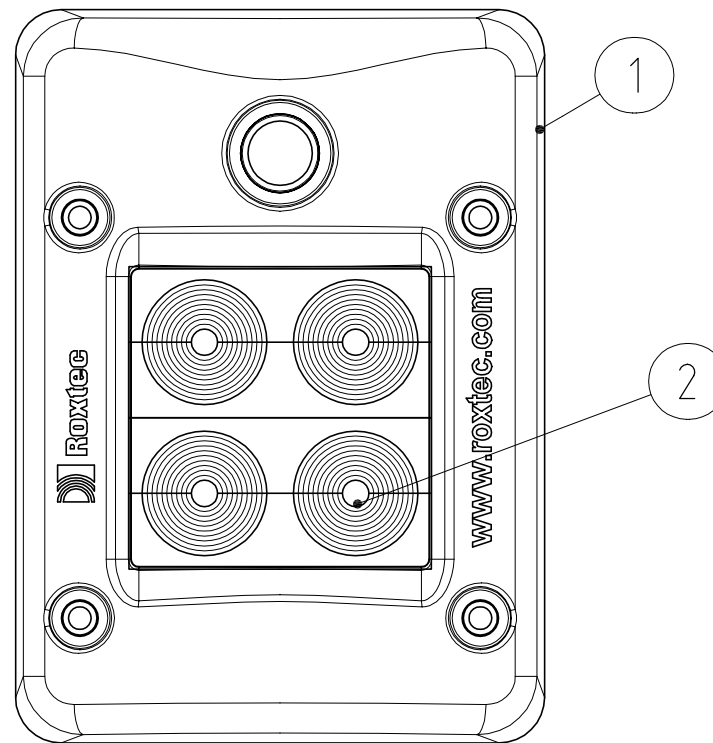


We reserve all rights in this document and in the information contained therein. Reproduction, use or disclosure to third parties without express authority is strictly forbidden. ©ROXTEC INTERNATIONAL AB



EzEntry 4/4

Pcs	Modules
2	EM 20w40

A	KIT 4/9 REMOVED	2009-06-26	S MILTON
Rev	Type of revision	Date	Sign

2	-	EM 20W40	RANGE ϕ 0+3.5-16.5			-
1	-	EZENTRY 4 FRAME				-
Item	Qty	Designation	Specification			Net Weight
ROXTEC INTERNATIONAL AB BOX 540 S-371 23 Karlskrona TEL: +46 455 366700 FAX: +46 455 82012		Designed by S MILTON	Date 2009-05-18	General tolerance ISO 2768-1/2-m/K EN ISO 13920-BF	Welded details EN ISO 5817-B EN ISO 10042-B	General surface roughness, Ra 12,5
		Checked by AN KARLSSON	Format A3	Title EZENTRY 4		Projection method
		Approved by AN KARLSSON	Scale 1:1	KITS		
		Restricted due to INFORMATION DRAWING		Drawing number S1017352		Rev A

