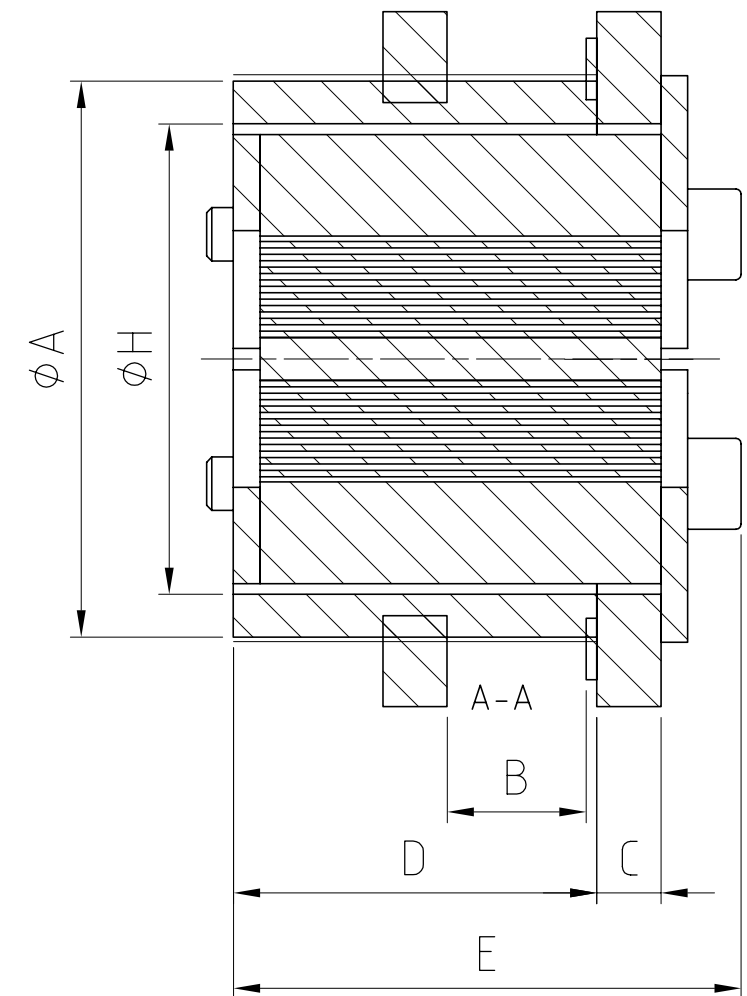
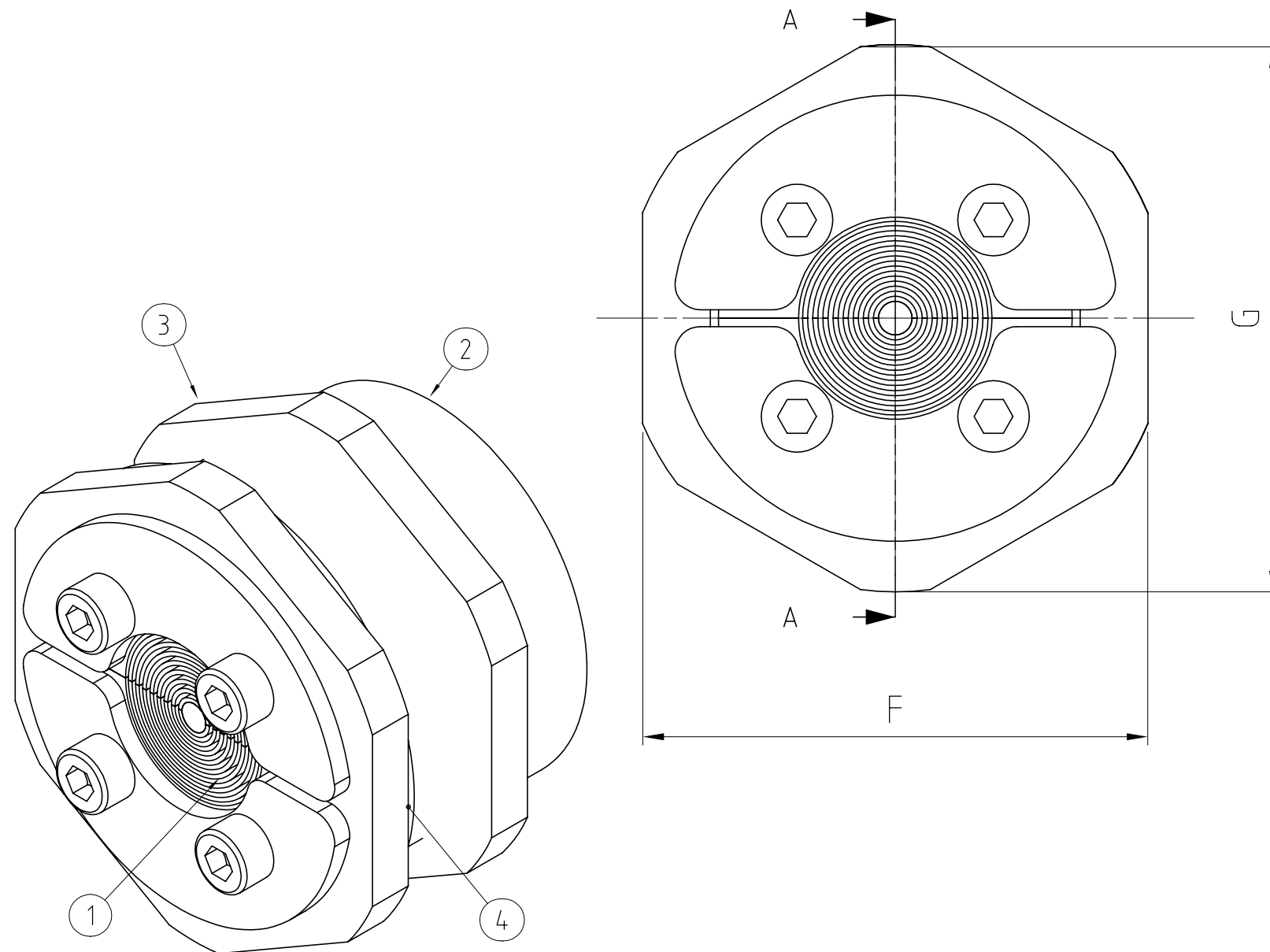


TYPE	C R S T 25	C R S T 31	C R S T 43	C R S T 50
DIMENSIONS	mm / "	mm / "	mm / "	mm / "
CABLE DIAMETER	0+3.6-12 / 0+0.142-0.472	0+4-17 / 0+0.175-0.669	0+4-23 / 0+0.157-0.906	0+8-30 / 0+0.315-1.181
THREAD	M32x1.5	M40x1.5	M50x1.5	M63x1.5
REC HOLECUT	32 / 1.260	40 / 1.575	50 / 1.969	63 / 2.480
A	32 / 1.260	40 / 1.575	50 / 1.969	63 / 2.480
B	1-10 / 0.039-0.394	1-8 / 0.039-0.315	1-28 / 0.039-1.102	1-26 / 0.039-1.024
C	4 / 0.157	5 / 0.197	5 / 0.197	6 / 0.236
D	16 / 0.630	15 / 0.590	35 / 1.378	34 / 1.338
E	25 / 0.984	25 / 0.984	48 / 1.890	48 / 1.890
F	36 / 1.417	46 / 1.811	60 / 2.362	70 / 2.756
G	39 / 1.535	50 / 1.968	65 / 2.559	78 / 3.071
H	25 / 0.984	31 / 1.220	43 / 1.693	50 / 1.969

MATERIAL - BRASS  
SURFACE TREATMENT - NICKEL PLATED  
MATERIAL - STAINLESS STEEL



We reserve all rights in this document and in the information contained therein. Reproduction, use or disclosure to third parties without express authority is strictly forbidden. ROXTEC INTERNATIONAL AB

4	1	GASKET	EPDM T=1mm		
3	1	NUT			
2	1	SLEEVE	INNER DIAMETER IN TABLE		
1	1	C RS SEAL	CABLE/PIPE RANGE IN TABLE		
Item	Qty	Designation	Specification		NetWeight
ROXTEC INTERNATIONAL AB		Designed by	J HELLKVIST	Date	2003-12-29
BOX 540 S-371 23 Karlskrona		Checked by	H OLSSON	Format	A3
TEL: +46 455 366700 FAX: +46 455 82012		Approved by	H OLSSON	Scale	
		Title		C R S T	
		Projection method		ASSEMBLY	
		Restricted due to			
		Drawing number		S1005785	
		Information		INFORMATION DRAWING	
		Revision			A

Rev	Type of revision	Date	Sign
A	MAX EQUIPMENT ENTRY DIAMETER ADDED AS H.	2008-09-10	JE BOHLIN