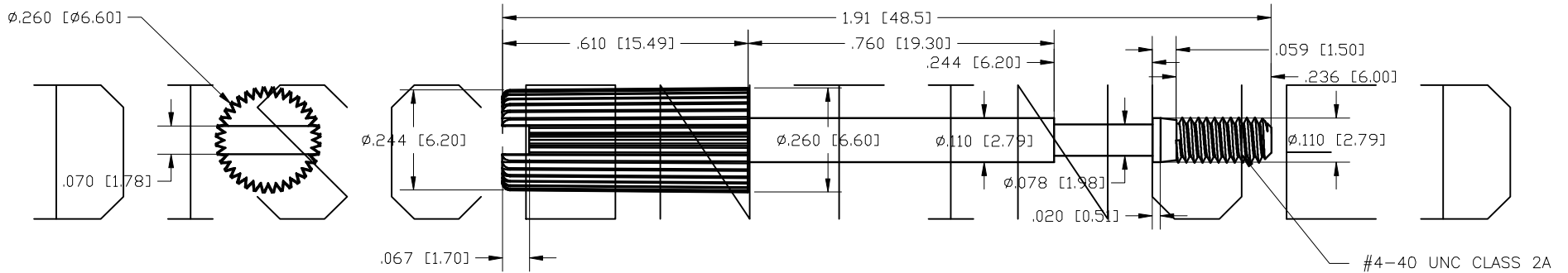


REV	DATE	DESCRIPTION	APP
A	22-FEB-12	ECN 0702	

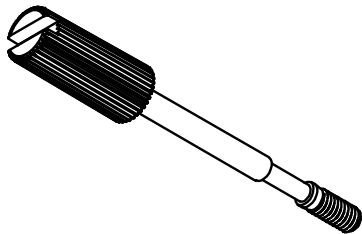


ORDER INFORMATION

PART NUMBER	KNOB COLOR
XDVET440LCNB000	BLACK
XDVET440LCNW000	WHITE

NOTES:

1. MATERIAL: LOW CARBON STEEL
2. FINISH: NICKEL PLATED
3. KNOB MATERIAL: ABS



UNLESS OTHERWISE SPECIFIED	SIGNATURES	DATE	Northern Technologies		THIS DRAWING IS THE PROPERTY OF NORTHERN TECHNOLOGIES AND SHOULD NOT BE REPRODUCED WITHOUT NORTHERN TECHNOLOGIES WRITTEN PERMISSION.
1. DIMENSIONS IN INCHES [MM] 2. TOLERANCE UNLESS OTHERWISE SPECIFIED .XXX ± .005 [0.127] .XX ± .02 [0.508] .X ± .03 [0.762] FRACT. ± 1/32 ANGULAR ± 1/2°	DRAWN Luis C.	20-APR-09	PART NUMBER SEE ORDER INFORMATION		DISCONTINUED
	CHECKED JSD	20-APR-09	DESCRIPTION #4-40 DVI THUMBSCREW		
	ISSUED		02-JUN-09	SHEET CODE 7100_265	DWG NO. 7100-500-265
				SCALE N.T.S.	SHEET 1 OF 1

THIS IS A CONTROLLED DOCUMENT AND IS SUBJECT TO CHANGE. CONTACT NORTHERN TECHNOLOGIES ENGINEERING FOR THE LATEST REVISION.