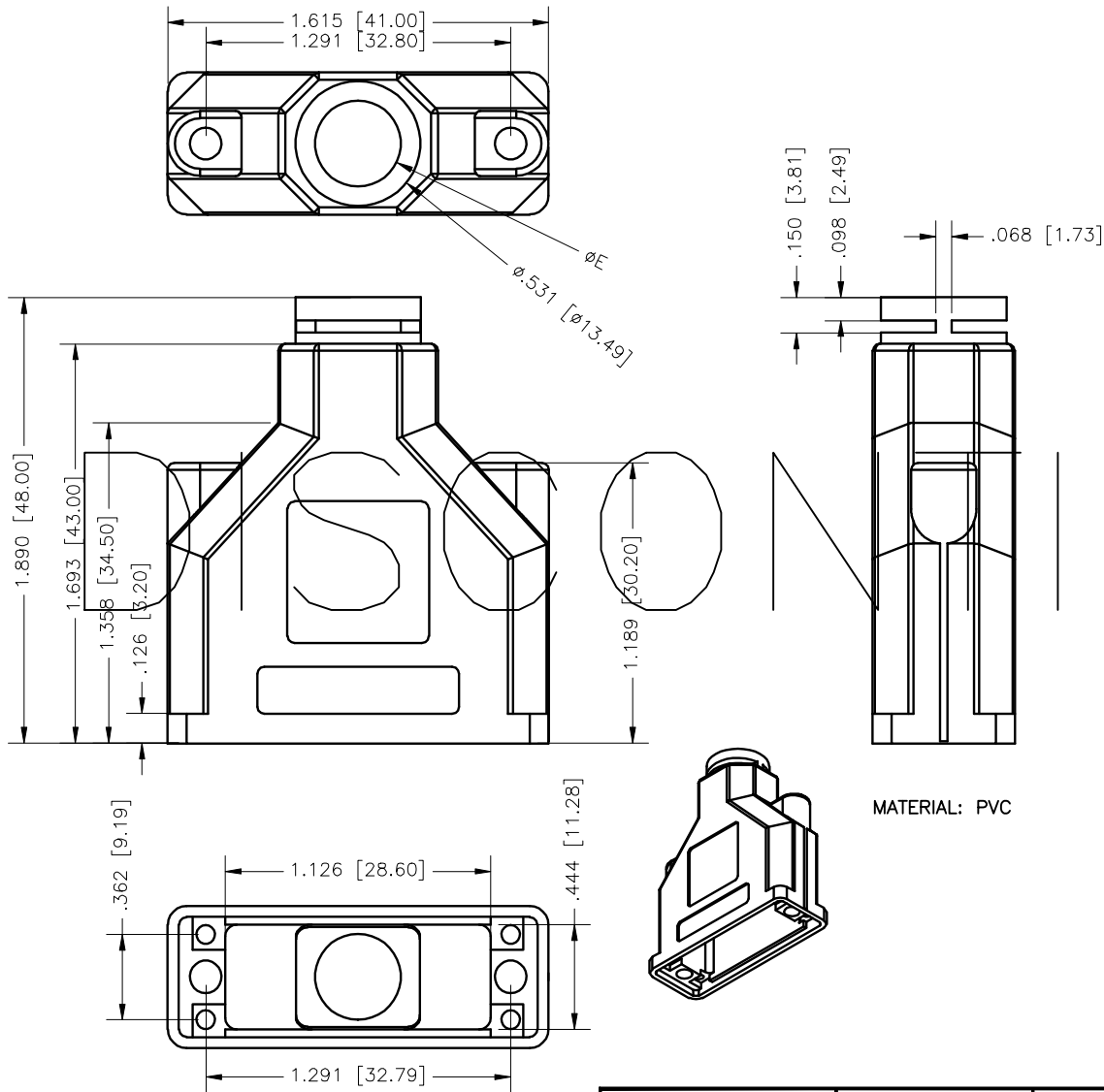


REV	DATE	DESCRIPTION	APP
A	22-FEB-12	ECN 0702	



MATERIAL: PVC

ORDER INFORMATION

PART NUMBER	EQ	INCH [MM]	COLOR
XDVEBTPV055B000	0.217	[5.50]	BLACK
XDVEBTPV064B000	0.252	[6.40]	BLACK
XDVEBTPV070B000	0.276	[7.00]	BLACK
XDVEBTPV077B000	0.303	[7.70]	BLACK
XDVEBTPV085B000	0.335	[8.50]	BLACK
XDVEBTPV090B000	0.354	[9.00]	BLACK
XDVEBTPV093B000	0.366	[9.30]	BLACK
XDVEBTPV055W000	0.217	[5.50]	WHITE
XDVEBTPV064W000	0.252	[6.40]	WHITE
XDVEBTPV070W000	0.276	[7.00]	WHITE
XDVEBTPV077W000	0.303	[7.70]	WHITE
XDVEBTPV085W000	0.335	[8.50]	WHITE
XDVEBTPV090W000	0.354	[9.00]	WHITE
XDVEBTPV093W000	0.366	[9.30]	WHITE
XDVEBTPV055G000	0.217	[5.50]	GREY
XDVEBTPV064G000	0.252	[6.40]	GREY
XDVEBTPV070G000	0.276	[7.00]	GREY
XDVEBTPV077G000	0.303	[7.70]	GREY
XDVEBTPV085G000	0.335	[8.50]	GREY
XDVEBTPV090G000	0.354	[9.00]	GREY
XDVEBTPV093G000	0.366	[9.30]	GREY

THIS IS A CONTROLLED DOCUMENT AND IS SUBJECT TO CHANGE. CONTACT NORTHERN TECHNOLOGIES ENGINEERING FOR THE LATEST REVISION.

UNLESS OTHERWISE SPECIFIED		SIGNATURES		DATE		Northern Technologies		THIS DRAWING IS THE PROPERTY OF NORTHERN TECHNOLOGIES AND SHOULD NOT BE REPRODUCED WITHOUT NORTHERN TECHNOLOGIES WRITTEN PERMISSION.	
1. DIMENSIONS IN INCHES [MM] 2. TOLERANCE UNLESS OTHERWISE SPECIFIED .XXX ± .010 [0.254] .XX ± .02 [0.508] .X ± .03 [0.762] FRACT. ± 1/32 ANGULAR ± 1/2°		DRAWN Luis C.		20-APR-09		PART NUMBER SEE ORDER INFORMATION			
		CHECKED JSD		20-APR-09		DESCRIPTION DVI BOOT PVC			
		ENG				DISCONTINUED			
		ISSUED		02-JUN-09					
		SHEET 1		CODE 7100_263		DWG NO. 7100-500-263			
		SCALE N.T.S.				SHEET 1 OF 1			