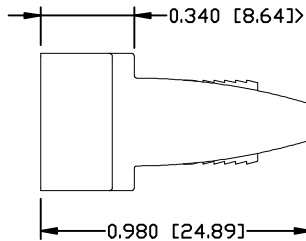
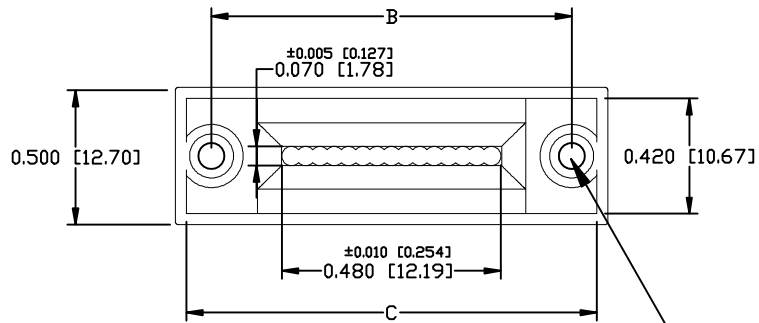
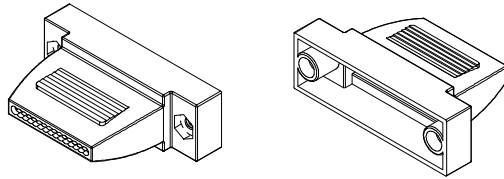
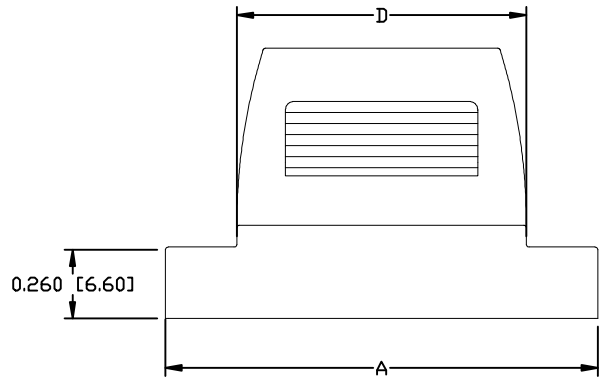


REV	DATE	DESCRIPTION	APP
A	29-APR-14	ECN 0739	
B	12-JAN-15	ECN 0763-DISC	
C	06-JUN-16	ECN 0784	



DISCONTINUED

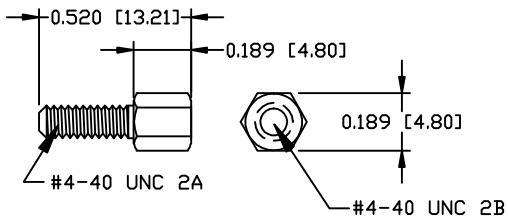
NOTES:
 1. COVER MATERIAL: ABS [POLYLAC PA-707]
 2. COVER COLOR: BLACK

#4-40 THREADED
 INSERT X2

ORDER INFORMATION

COVER SIZE	PART NO.	A	B	C	D
9 POSITION	A39E100009	1.260 [32.00]	0.984 [24.99]	1.180 [29.97]	0.710 [18.03]
15 POSITION	A39E100015	1.580 [40.13]	1.312 [33.32]	1.490 [37.85]	1.040 [26.42]
25 POSITION	A39E100025	2.120 [53.85]	1.857 [47.17]	1.990 [50.55]	1.580 [40.13]

FEMALE SCREWLOCK (2 PIECES)



THIS IS A CONTROLLED DOCUMENT AND IS
 SUBJECT TO CHANGE. CONTACT NORTHERN
 TECHNOLOGIES ENGINEERING FOR THE
 LATEST REVISION.

UNLESS OTHERWISE SPECIFIED	SIGNATURES	DATE	Northern Technologies		
1. DIMENSIONS IN INCHES [MM] 2. TOLERANCE UNLESS OTHERWISE SPECIFIED .XXX ± .015 [0.381] .XX ± .020 [0.508] .X ± .03 [0.762] ANGULAR ± 1.5°	DRAWN	JSD	29-JUL-05		
	CHECKED	SCN	29-JUL-05		
	ENG				
	ISSUED		22-SEP-05		
			THIS DRAWING IS THE PROPERTY OF NORTHERN TECHNOLOGIES AND SHOULD NOT BE REPRODUCED WITHOUT NORTHERN TECHNOLOGIES WRITTEN PERMISSION.		
			PART NUMBER SEE ORDER INFORMATION		
			DESCRIPTION 1 PC. RIBBON CABLE CONNECTOR COVER		
		SHEET	CODE	DWG NO.	
		1	7100_220	7100-500-220	
SCALE		N.T.S.		SHEET 1 OF 1	