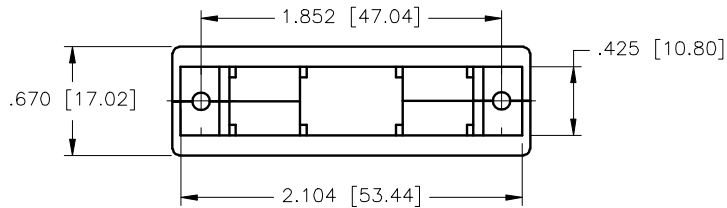
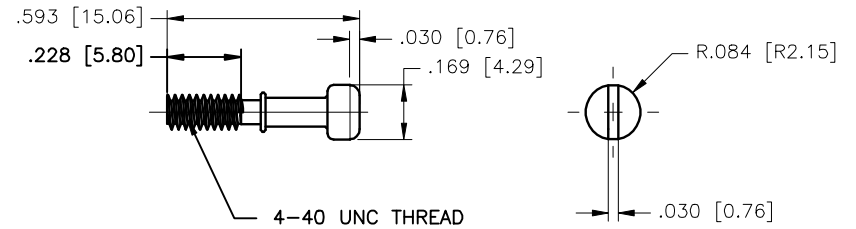
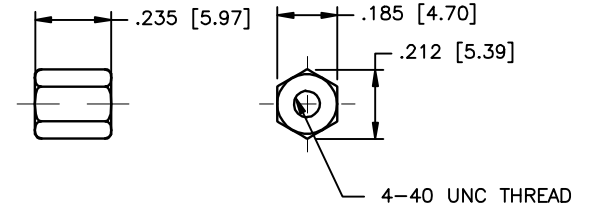
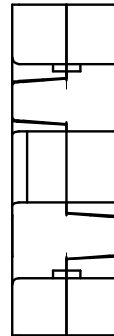
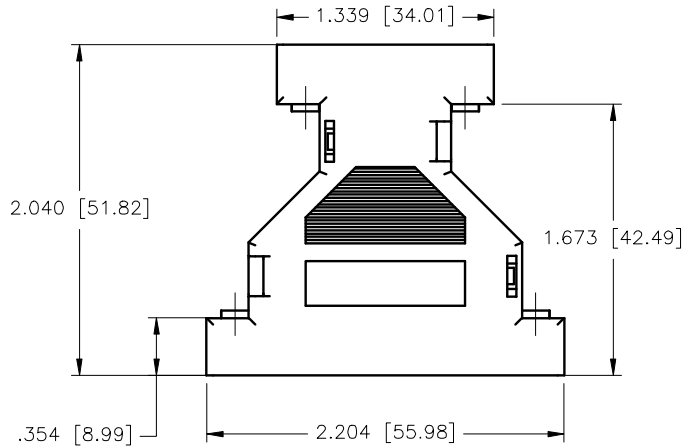
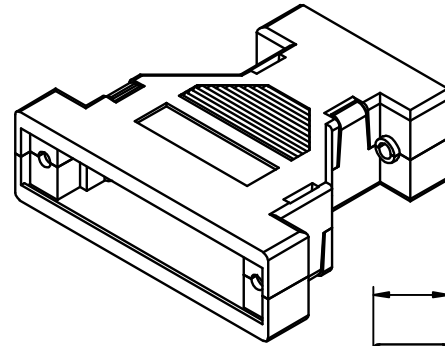
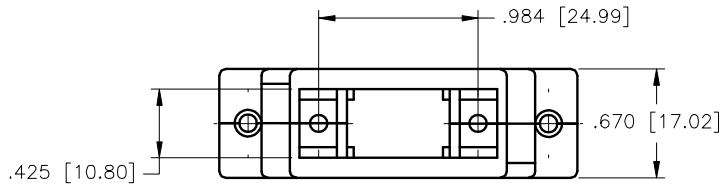


REV	DATE	DESCRIPTION	APP
A	10-JUN-16	ECN 0786	



NOTES:

1. MATERIAL: A.B.S. (UL94HB)
2. COLOR: SEE NOTE 5
3. DIMENSIONS: INCHES [MM]
4. KIT INCLUDES:
  - 1 - 2 PC. COVER
  - 4 - #4-40 MATING SCREW
  - 4 - #4-40 HEX EXTENDER
5. PART NO. 201E09F25F001 - BLACK  
PART NO. 201E09F25F003 - GRAY

THIS IS A CONTROLLED DOCUMENT AND IS SUBJECT TO CHANGE. CONTACT NORTHERN TECHNOLOGIES ENGINEERING FOR THE LATEST REVISION.

UNLESS OTHERWISE SPECIFIED	SIGNATURES	DATE	Northern Technologies			
1. ALL DIMENSIONS ARE IN INCHES (MM) 2. DIMENSIONS ARE TYPICAL	DRAWN JSD	03-JAN-06	THIS DRAWING IS THE PROPERTY OF NORTHERN TECHNOLOGIES AND SHOULD NOT BE REPRODUCED WITHOUT NORTHERN TECHNOLOGIES WRITTEN PERMISSION.  PART NUMBER 201E09F25F00X DESCRIPTION 9M/F TO 25M/F GENDER CHANGER COVER			
	CHECKED SCN	03-JAN-06				
	ENG			SHEET 1	CODE 7100_202	DWG NO. 7100-500-202
	ISSUED		03-JAN-06	SCALE N.T.S.		SHEET 1 OF 1