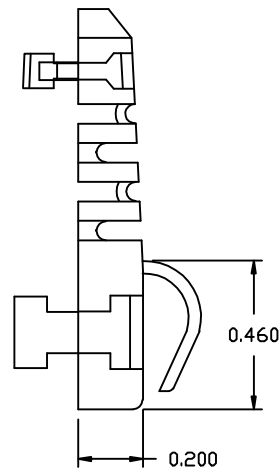
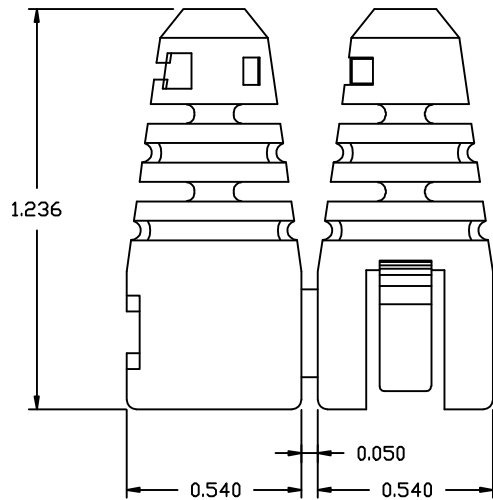
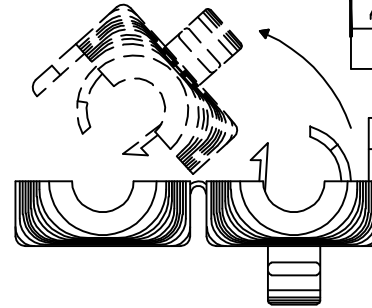
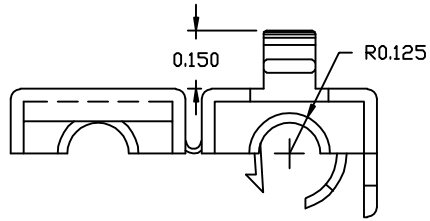


REV	DATE	DESCRIPTION	APP
A	13-JUN-16	ECN 0789	

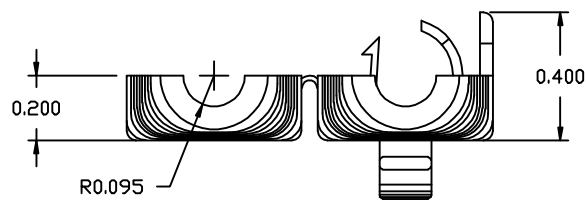


SNAP-ON PLASTIC COVER/
STRAIN RELIEF FOR RJ-45 PLUGS

PART NUMBER COLOUR

- 3010E10001 — — — BLACK
- 3010E10003 — — — DARK GRAY
- 3010E10004 — — — YELLOW
- 3010E10006 — — — BLUE
- 3010E10007 — — — VIOLET
- 3010E10008 — — — RED
- 3010E10009 — — — LIGHT GREEN
- 3010E10010 — — — WHITE
- 3010E10011 — — — LIGHT GRAY

NOTE:
1. MATERIAL: POLYPROPYLENE HOMOPOLYMER



THIS IS A CONTROLLED DOCUMENT AND IS SUBJECT TO CHANGE. CONTACT NORTHERN TECHNOLOGIES ENGINEERING FOR THE LATEST REVISION.

UNLESS OTHERWISE SPECIFIED	SIGNATURES	DATE	Northern Technologies		
1. ALL DIMENSIONS ARE IN INCHES (MM) 2. DIMENSIONS ARE TYPICAL	DRAWN L.C.	21-JUN-05	THIS DRAWING IS THE PROPERTY OF NORTHERN TECHNOLOGIES AND SHOULD NOT BE REPRODUCED WITHOUT NORTHERN TECHNOLOGIES WRITTEN PERMISSION.		
	CHECKED JSD	21-JUN-05	PART NUMBER	3010E1000X	
	ENG		DESCRIPTION	SNAP-ON RJ-45 STRAIN RELIEF	
	ISSUED	21-JUN-05	SHEET	CODE	DWG NO.
			1	7100_094	7100-500-094
			SCALE	N.T.S.	SHEET 1 OF 1